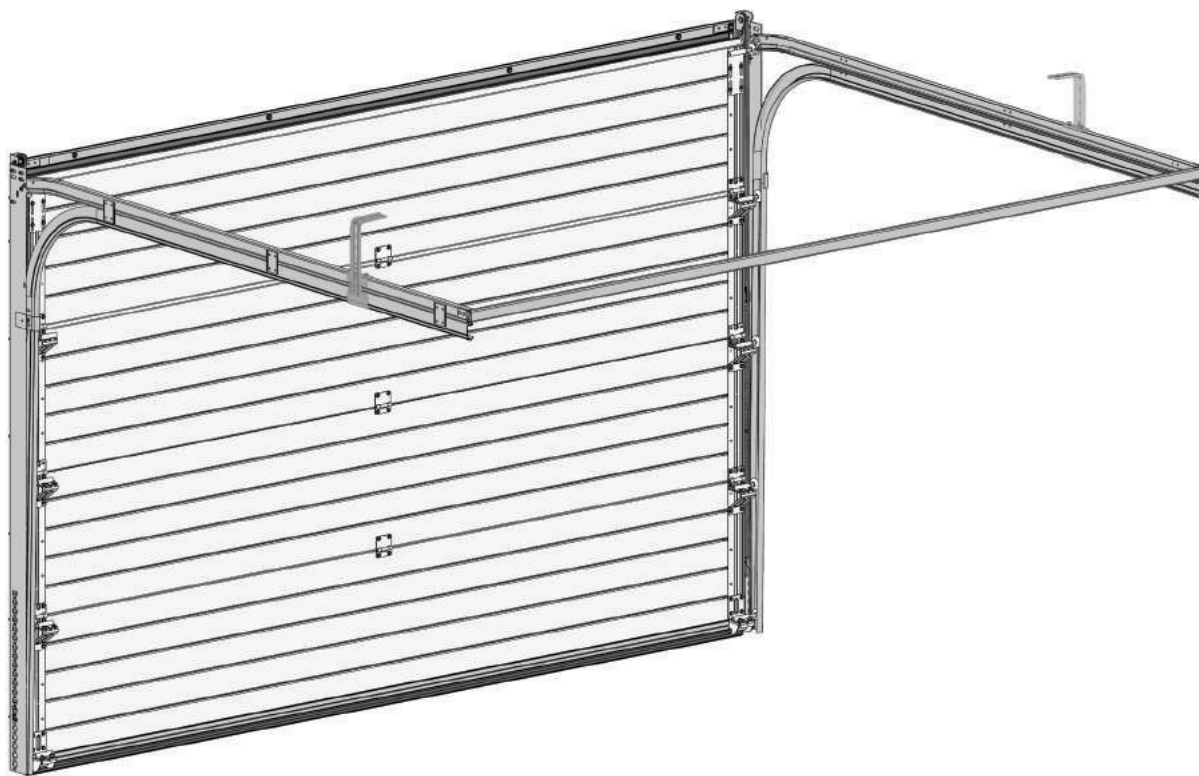


# *BRD Door*

## **SECTIONAL DOORS**



INSTALLATION AND OPERATING INSTRUCTIONS

**General information**

This is the installation manual for the BRD sectional doors. The manual contains important information for the installation, safe operation and maintenance of the doors. Please, keep this manual.

In case of any difficulties or misunderstanding during the installation of the doors, please contact your technical support service (see "Technical support service"). It's strongly forbidden to use and install any parts that are not the original parts of the doors supplied by the manufacturer. Such parts may be installed only with the written confirmation of the manufacturer.

Attention. Keep children away during the installation of the doors. Some parts can injure them.

For the installation of the operator, please read carefully its specific installation manual and follow all the instruction to prevent any damages to the doors and your house. Before you start to install the doors, please, check that the opening has been prepared according to the supplied technical data.

The opening of the door must be free of any obstacles.

**General installation conditions**

Installation team recommendations

The installation of the doors can be done by 1 person. However, the manufacturer recommends the installation to be carried out by 2 persons including 1 certified electrician. Average installation time is 2 hour.

Before starting the installation, please make sure, that you have all the tooling needed for it (see page 4).

**Installation responsibility**

Due to the impossibility to control the installation process by the manufacturer, the installer is held responsible and must prevent any possible risks. He must ensure good quality of fixation to the walls of building.

In any case the manufacturer of the doors will not bear

responsibility for possible financial loss, property damages, injuries, or any other possible risks that may appear as the result of the installation.

**OPERATION**

The doors should move up and down without difficulty.

The doors should be balanced.

Manual opening or closing of the doors must be done only using the provided handle. Attention! Never put your fingers between the panels, neither from outside nor from inside the building.

Lock the door using special latch or mechanical lock.

The parts of the doors should be well lubricated.

Keep children and animals out of the doors operation area.

Do not put any obstacles inside the opening and doors track path.

**Technical problems**

In case of any problems with the product, please call the technical support service.

**Technical support service**

You can find the information about the hot line for the technical support in the purchasing contract you have got from your vendor.

Please note, that the manufacturer has the right to change the technical specification of the product without notifying the user.

Thank you very much for purchasing our sectional doors.

**SYMBOLE**

- door element



- incorrect installation



- note



- fastening element



- correct installation



- set level



- unpack



- apply force



## 简介

## 安装说明手册

此手册包含了安装，安全操作和维护保养重要信息。

请保管好这份手册。

如果在安装门体过程中遇到困难或不解，请联系售后服务（详见“售后服务”）。

禁止在未得到生产商的书面确认函之前使用和安装任何非生产商提供的门体原装部件。

注意：禁止儿童靠近安装门体，以防事故发生。

安装电机时，请仔细阅读电机的安装手册，并严格遵循以避免对门体和房屋造成破坏。

开始安装之前，请检查洞口是否已经按照提供的技术文件上的要求修整完毕。

门洞及安装区域不能有任何障碍物。

## 总体安装情况

## 安装队建议

尽管一个人就能完成门体的安装，但厂家建议由2个人执行安装，包括1个专业电工。

安装平均用时2小时。

开始安装之前，请确保安装所需的所有工具都齐备

## 安装要求：

由于生产商无法控制安装过程，安装人员必须对安装负责并

排除一切潜在风险，必须保证与墙体的连接十分牢固。

门体的生产商不会承担任何由于安装所导致的财产损失、人身伤害或其他可能的危害的责任。

## 使用

门体上下运行应顺畅无碍。

门体应处于平衡状态。

手动开、关门只能通过推拉门板上的把手来实施。注意！千万不要把你的手指伸进门板夹缝里，不管是在室内还是室外。

用特制的插销或机械锁锁门。

门体相关部件必须润滑良好。

禁止儿童和动物靠近门体运行区域。

门洞及轨道等运行区域不得有任何障碍物。

## 技术问题

如果产品有任何问题，请电话联系售后服务。

## 售后服务

经销商签订的采购合同上附有售后服务热线。

请注意，生产商有权更改产品技术规格而不告知最终用户。

非常感谢您选购我们产品。

## SYMBOLE



- door element



- fastening element



- unpack



- incorrect installation



- correct installation



- apply force



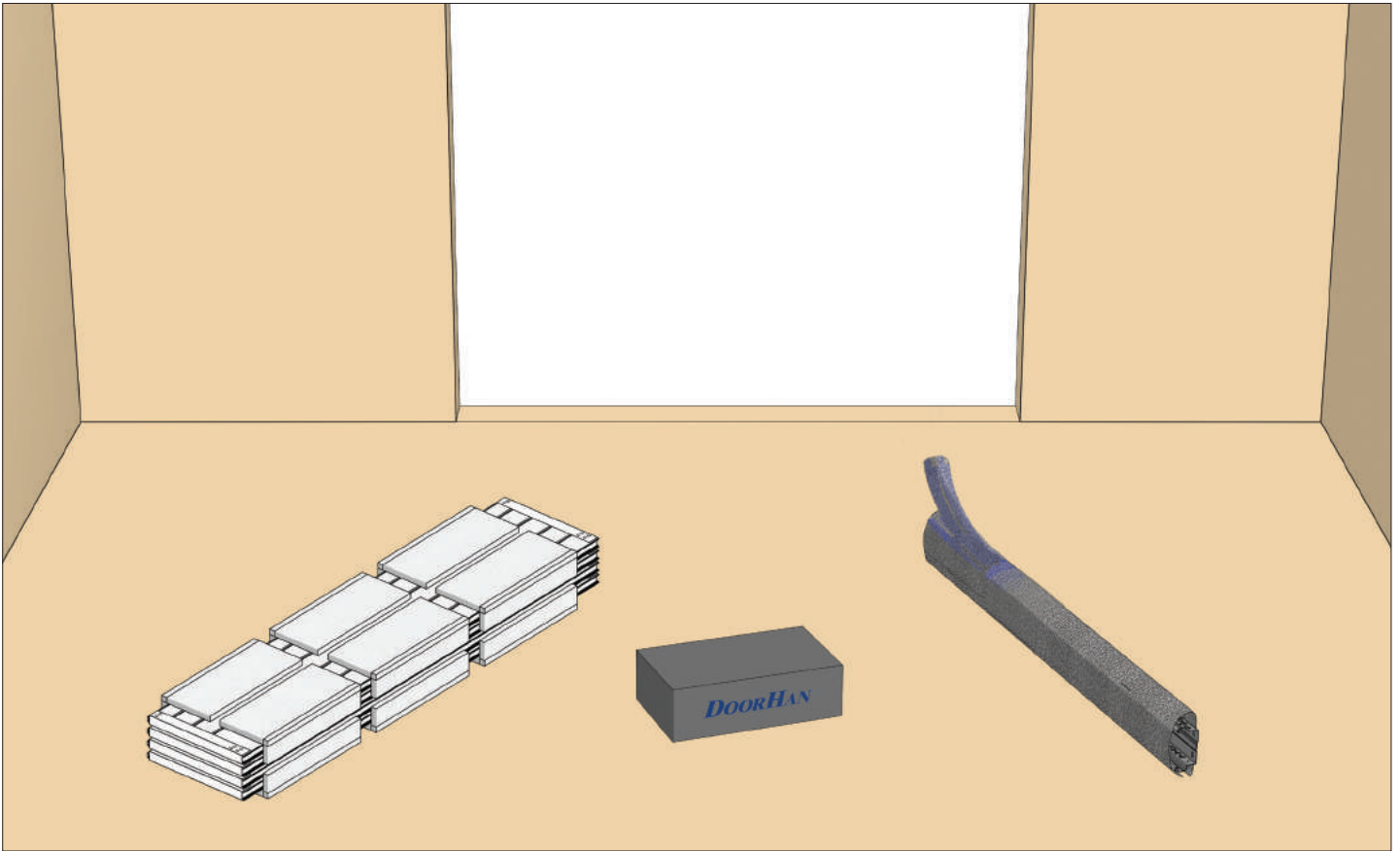
- note



- set level



- dismantling



1,5 m **A**



300 g **B**



5 m **C**



2 **D**



S10  
S13 **E**



S13  
S10 **F**



17 mm  
15 mm  
14 mm  
12 mm  
10 mm  
4,2 mm **G**



M **H**



**I**



**J**



**K**



**L**



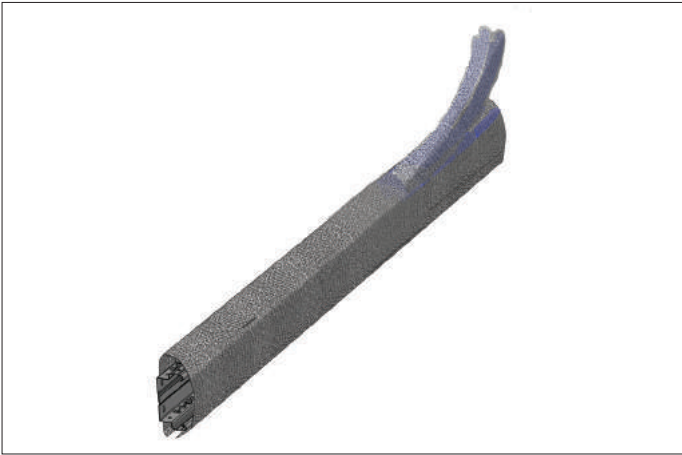
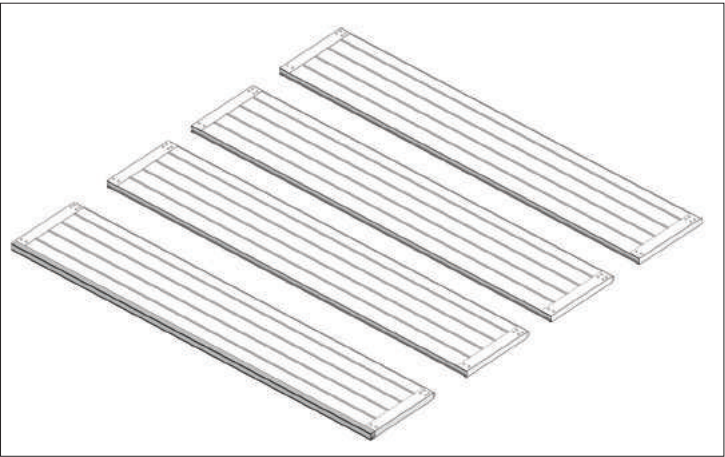
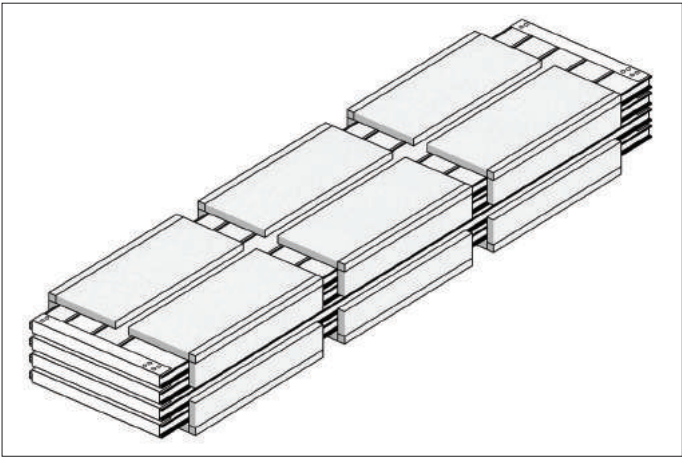
**M**



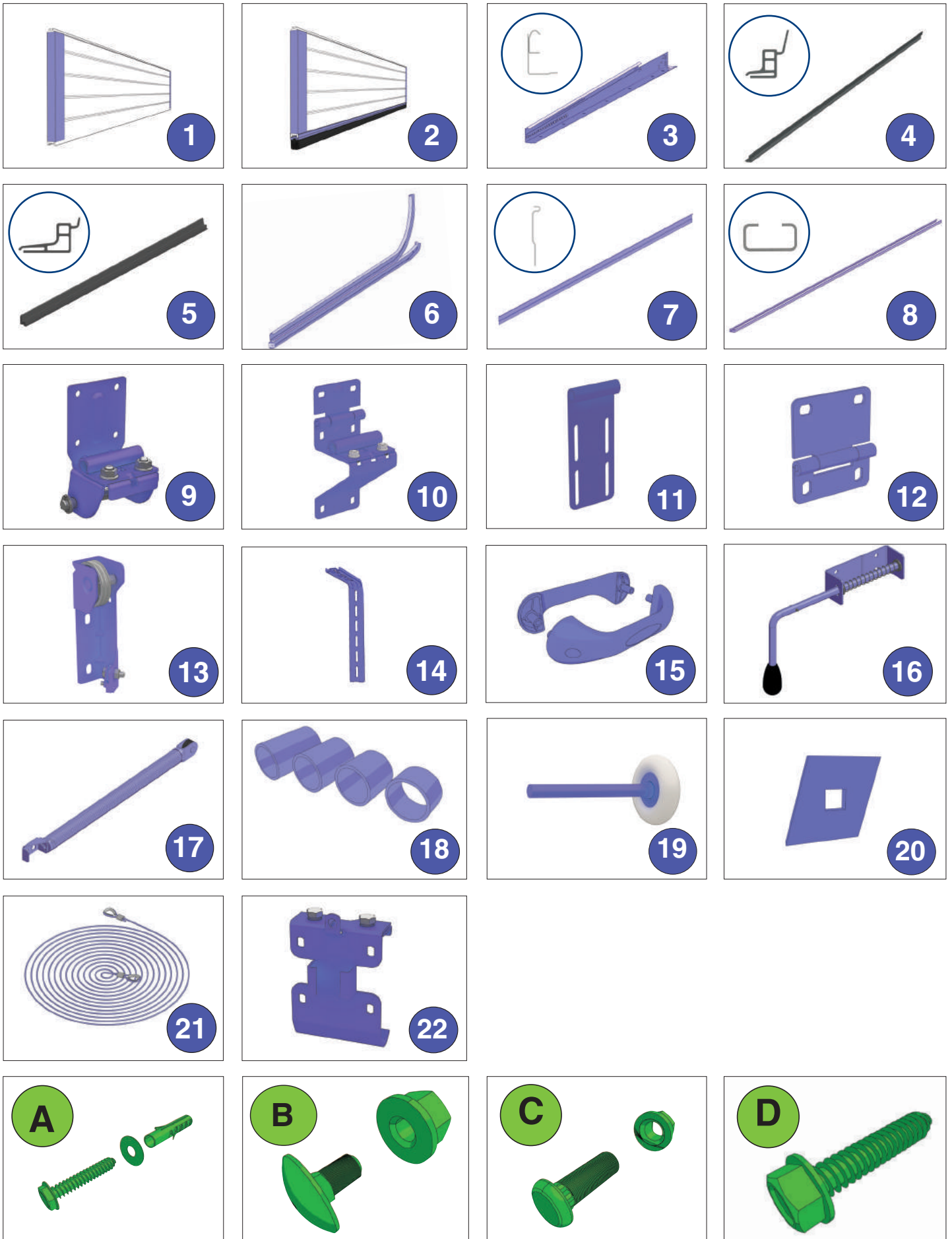
**N**



**O**





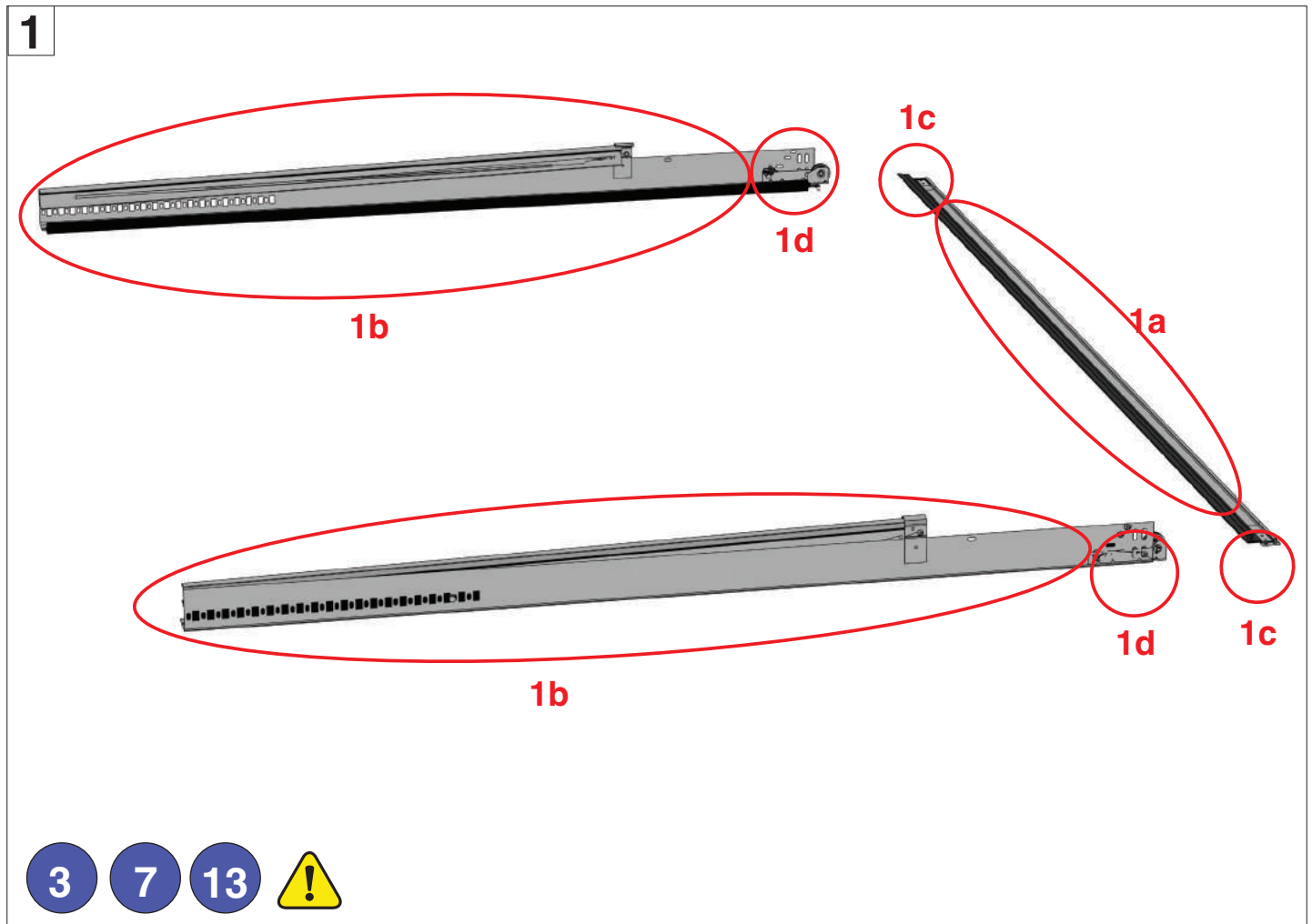
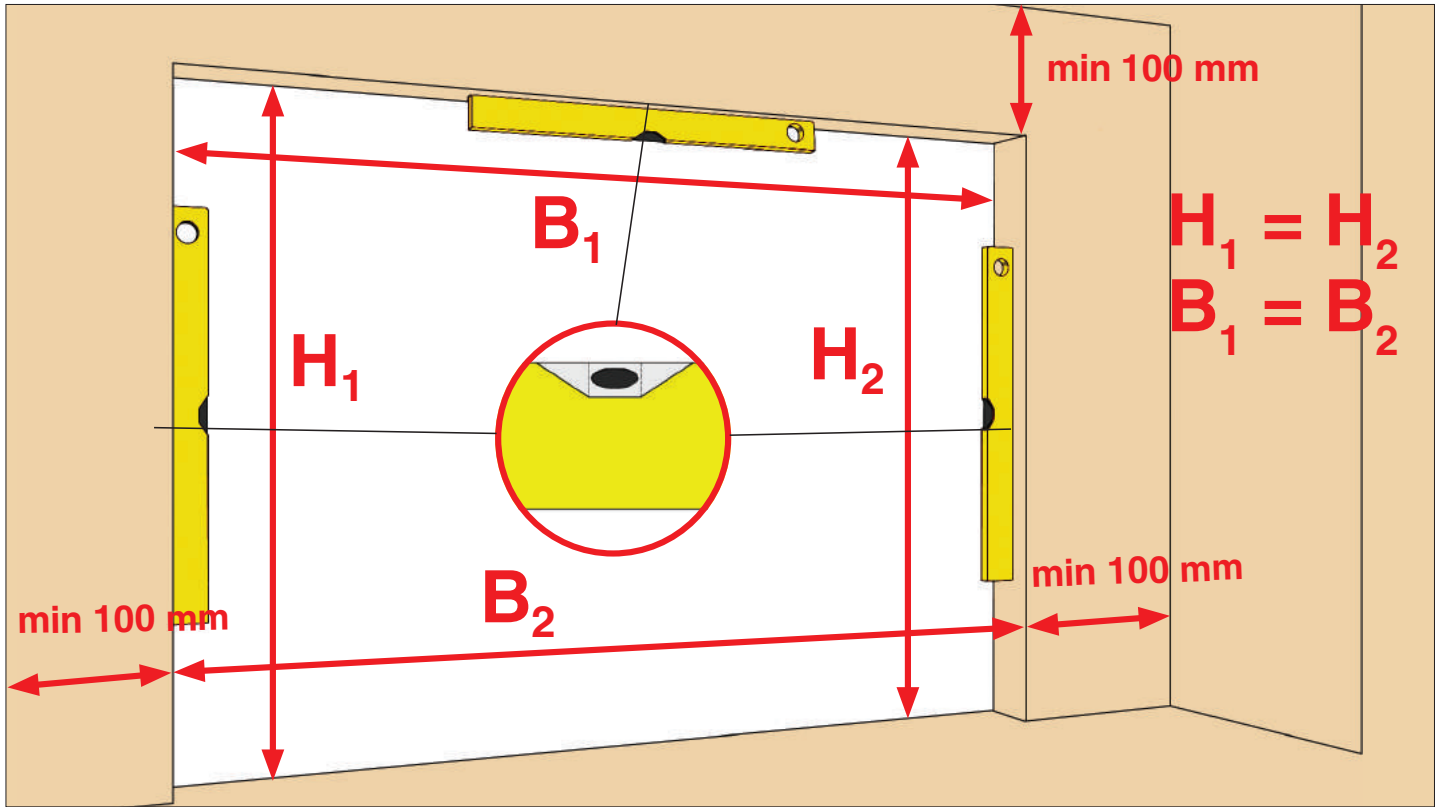


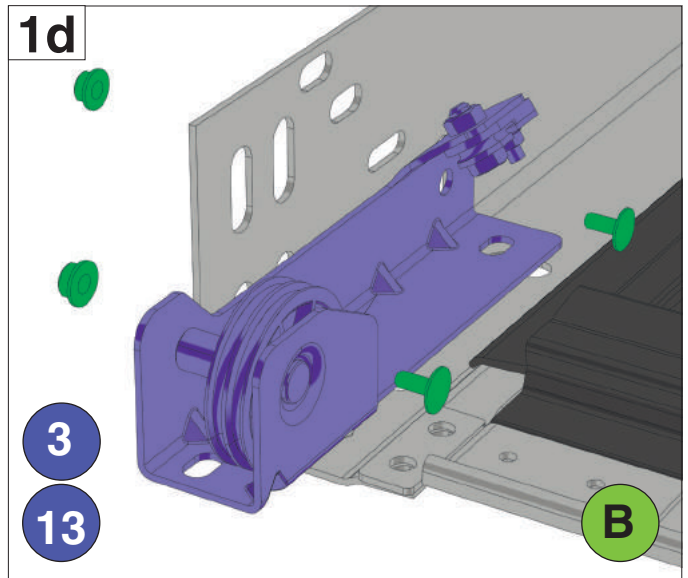
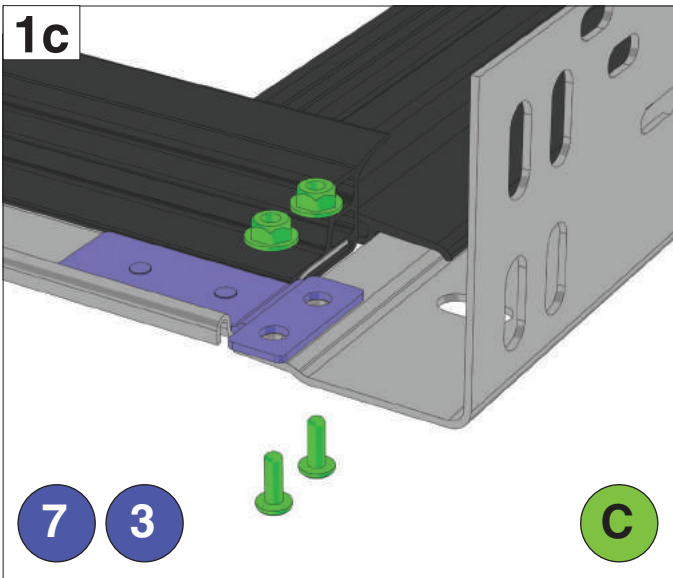
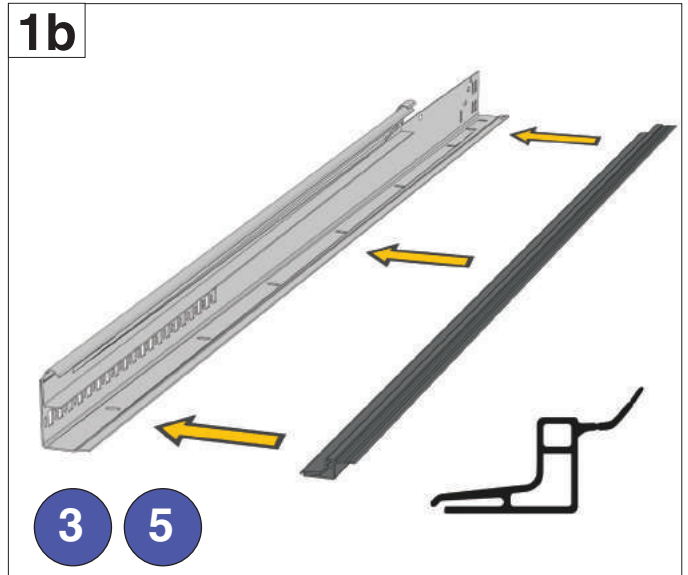
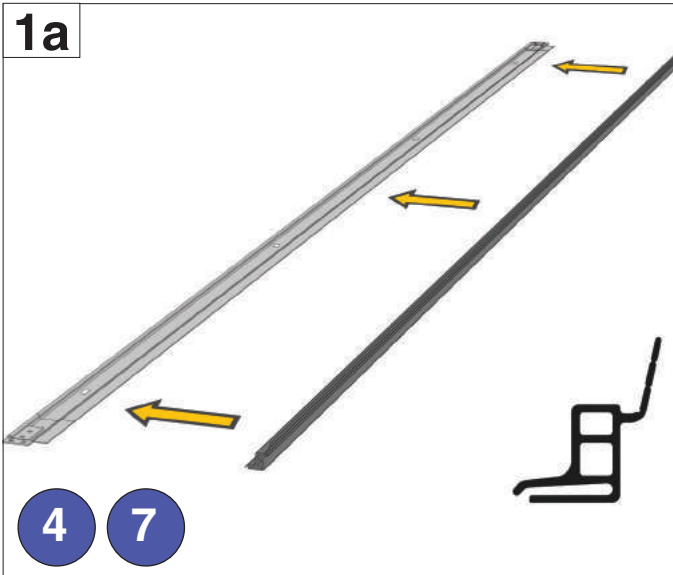
8 × 70 mm

M 8 × 16 mm

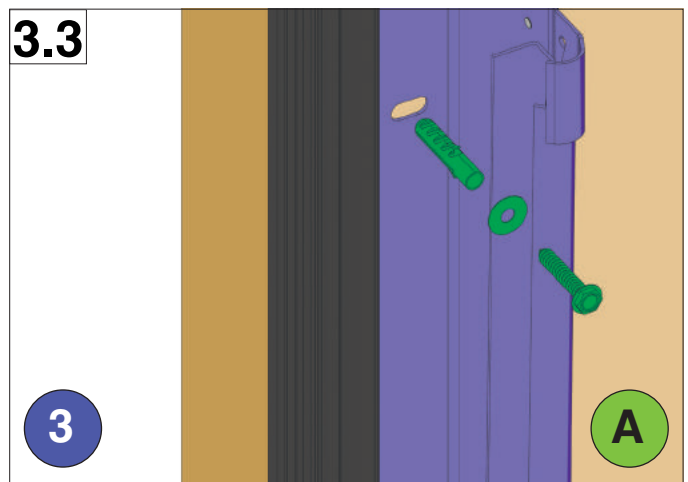
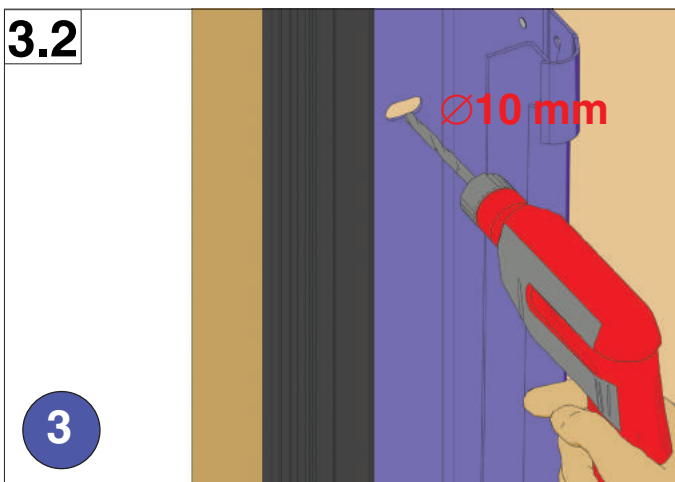
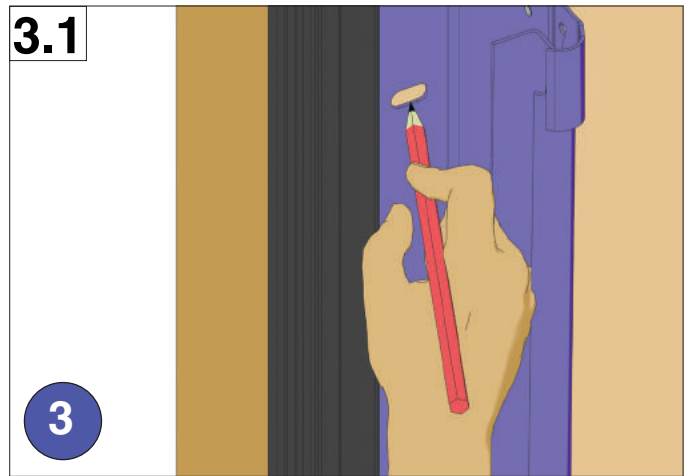
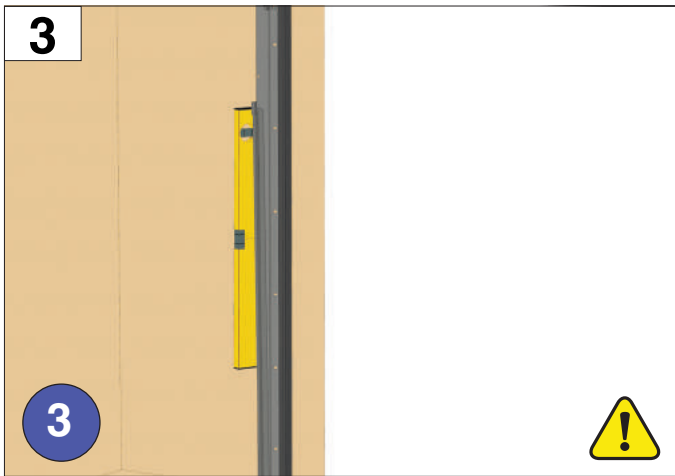
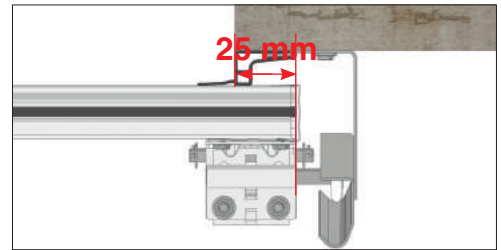
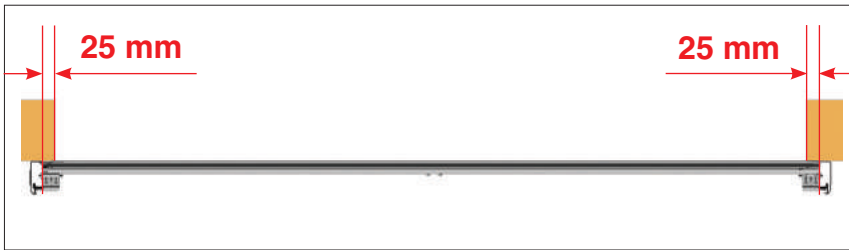
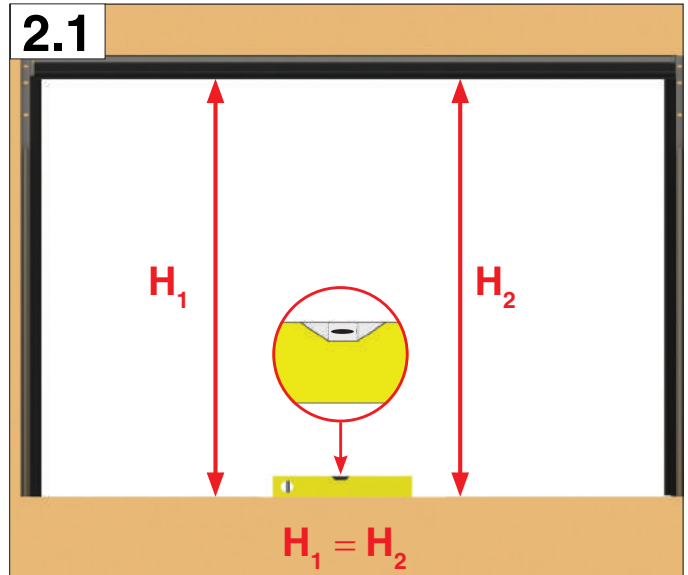
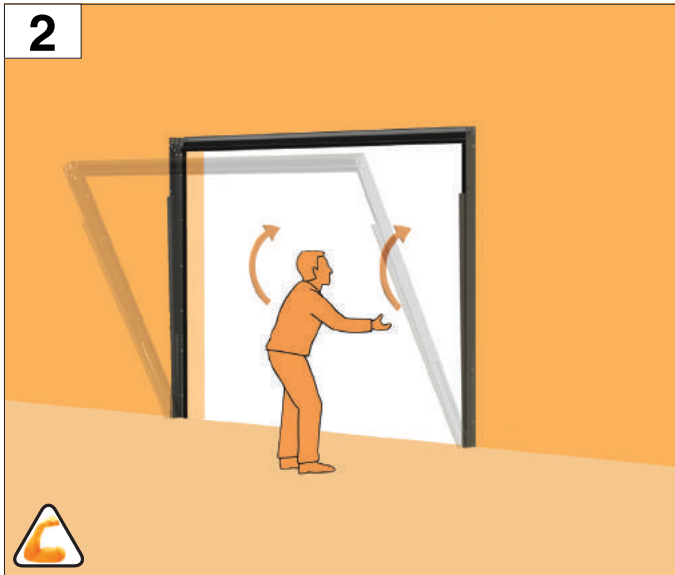
1/4 × 3/4"

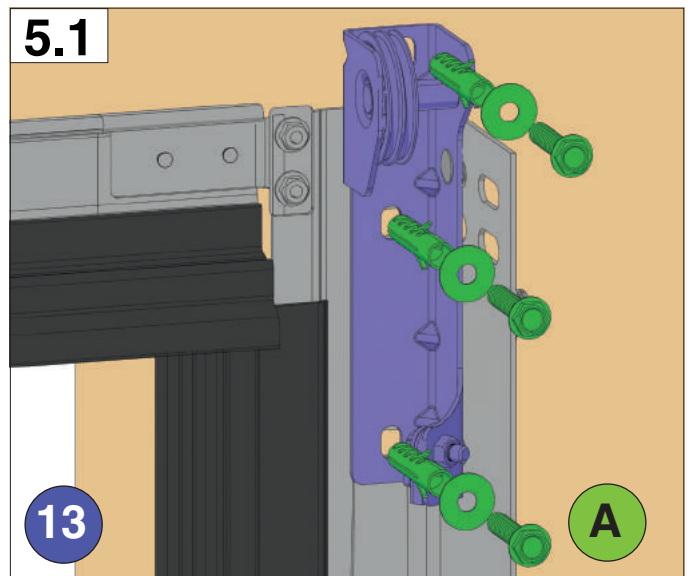
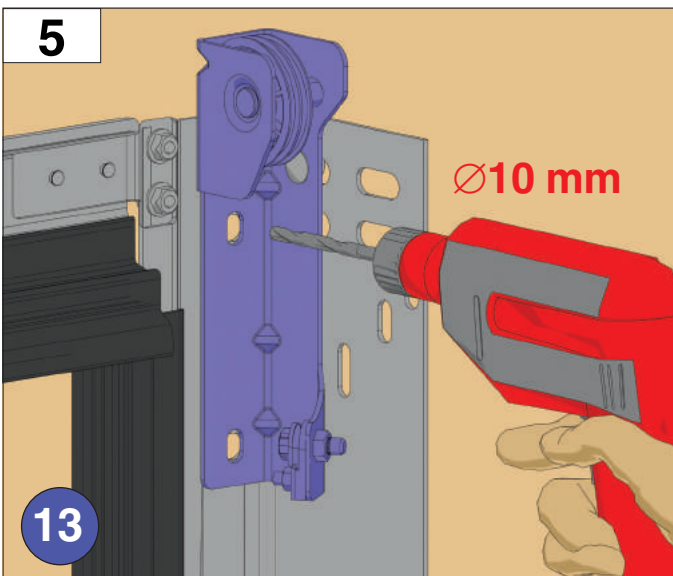
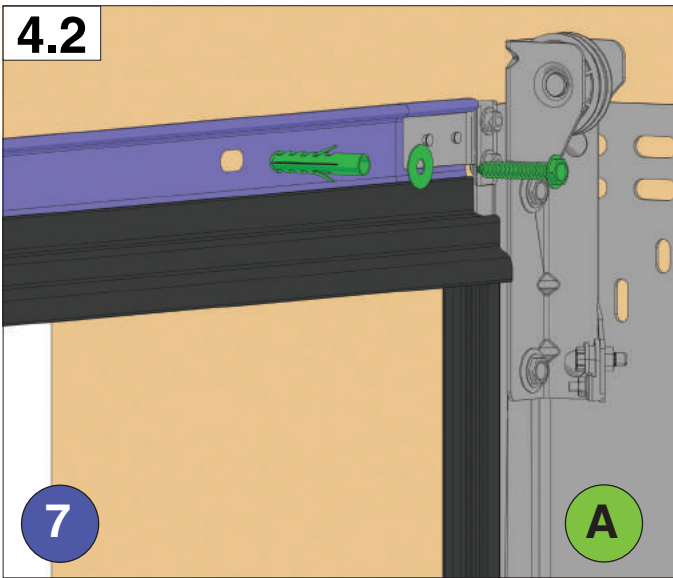
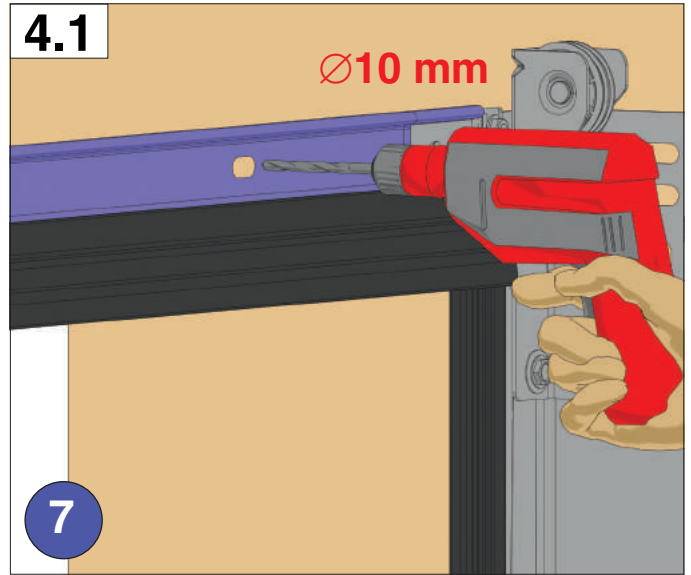
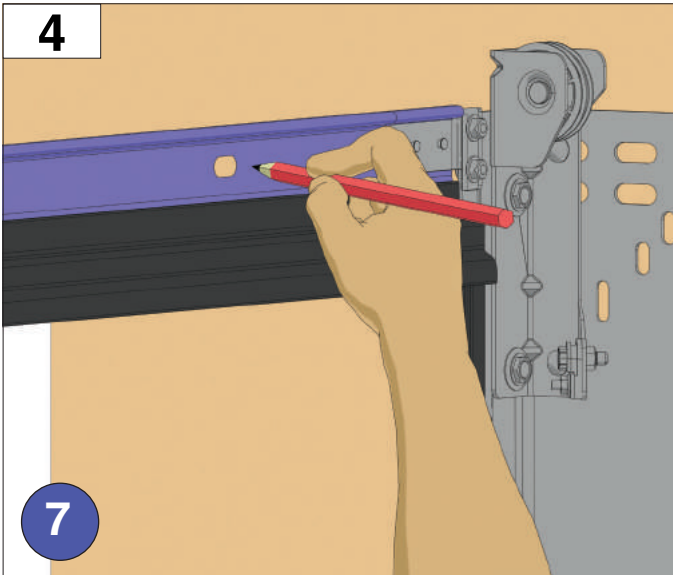
6,3 × 32 mm

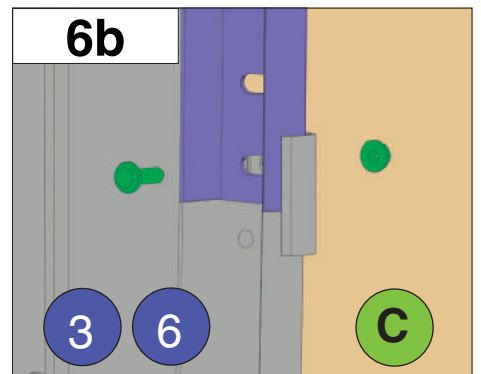
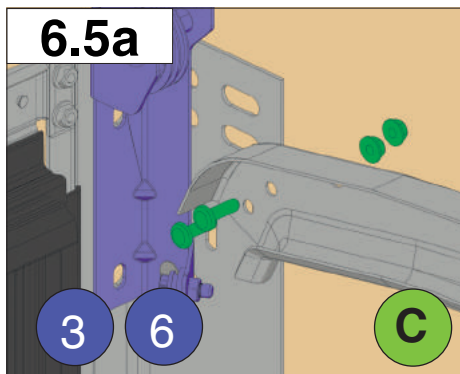
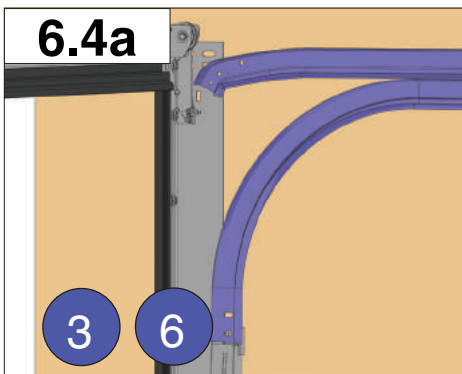
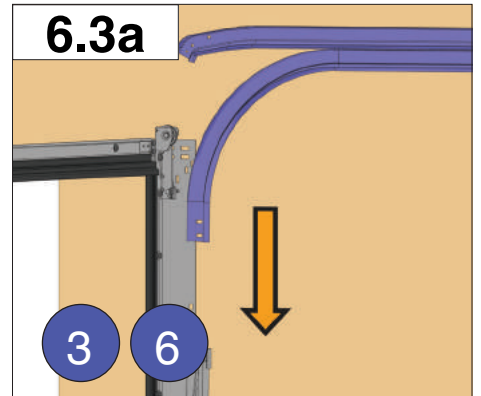
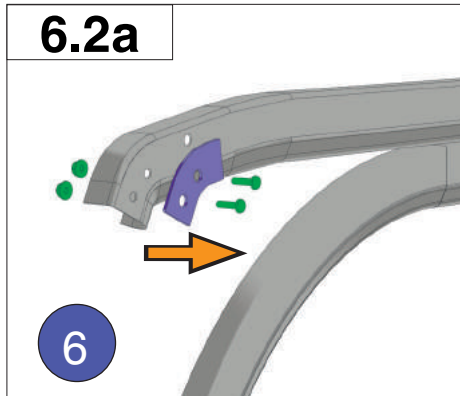
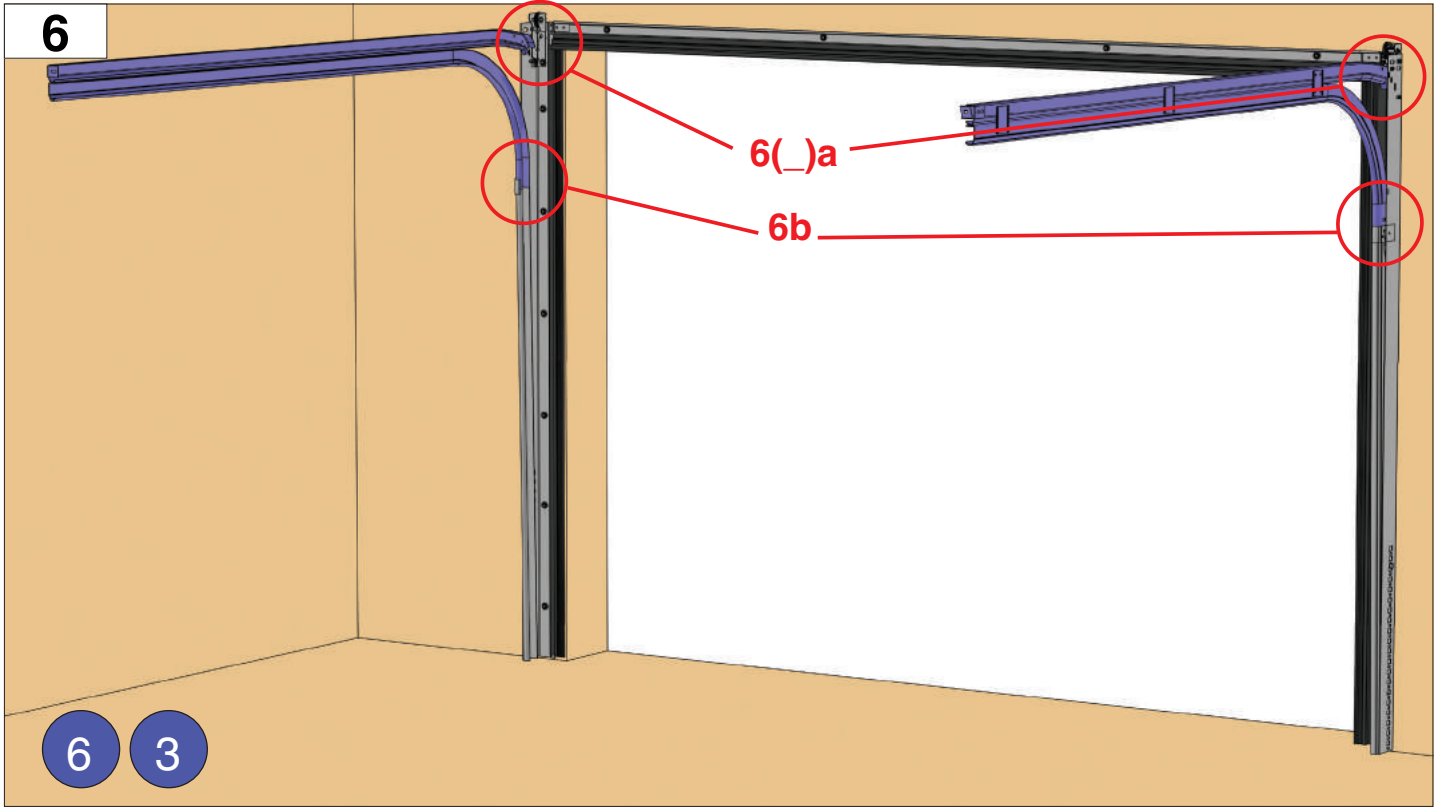


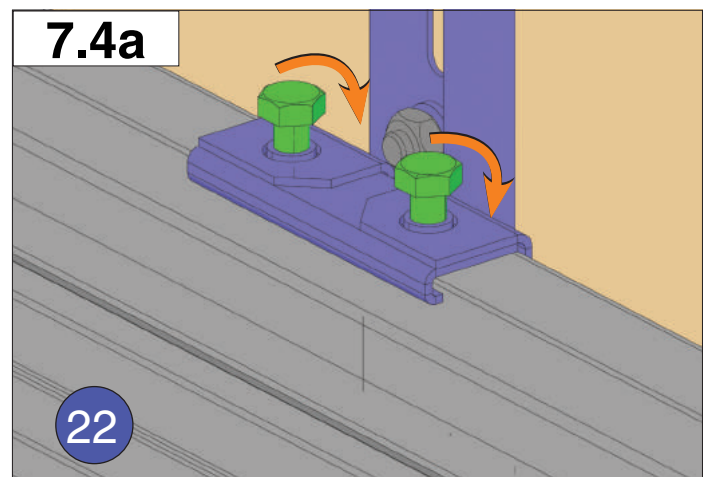
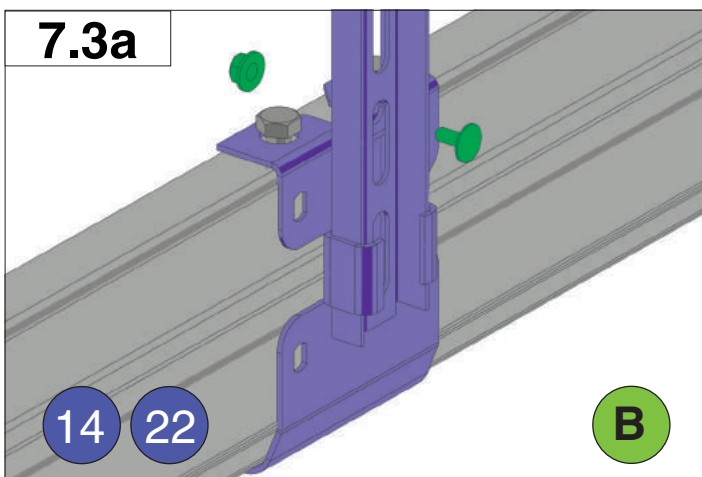
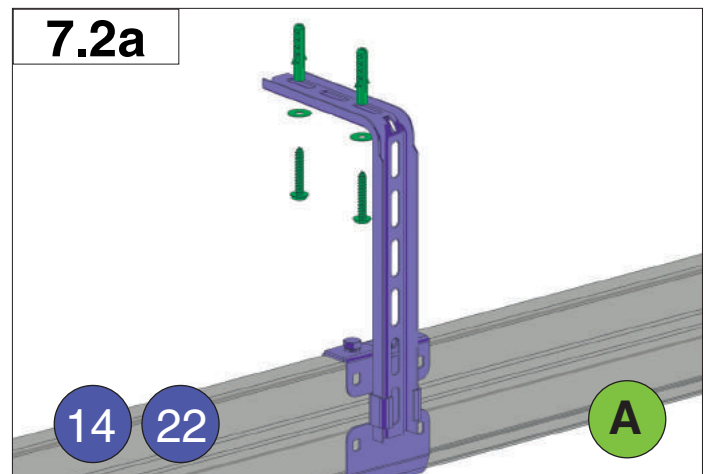
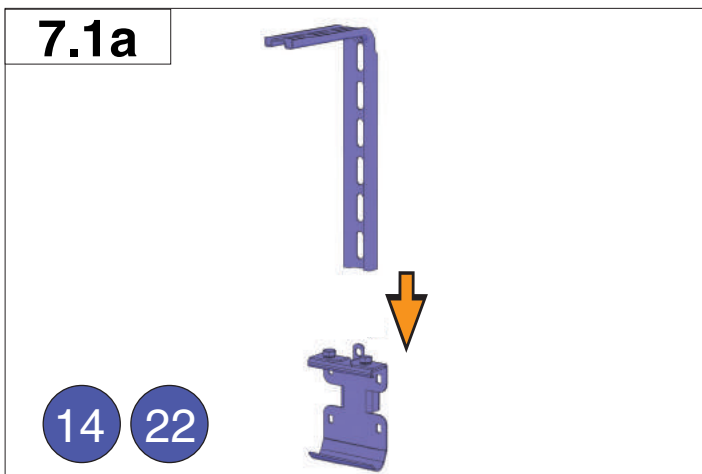
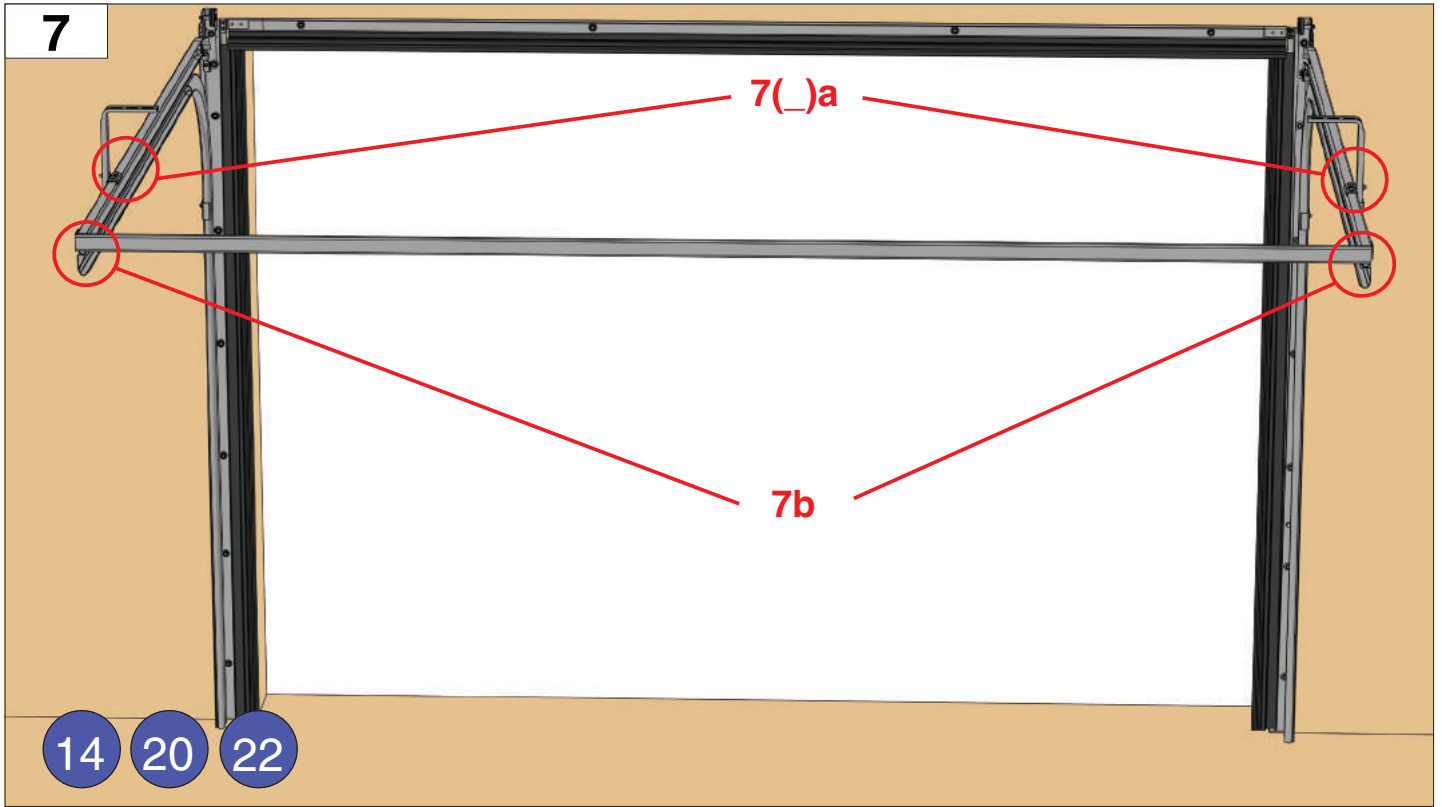


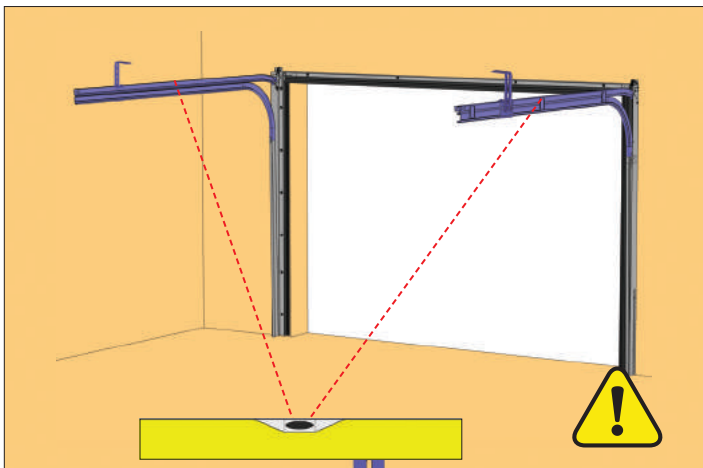
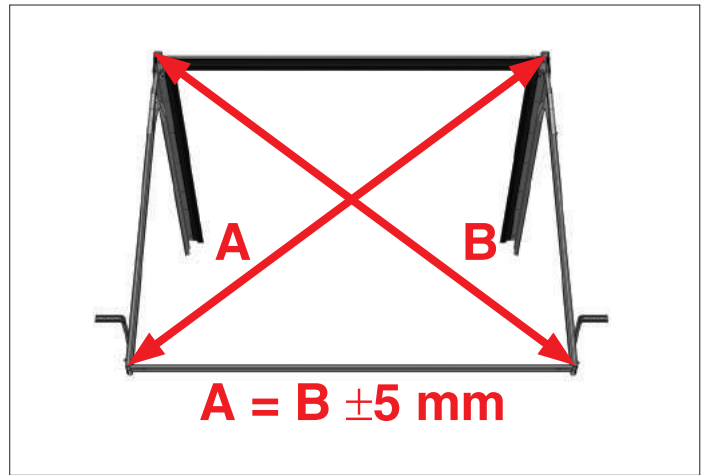
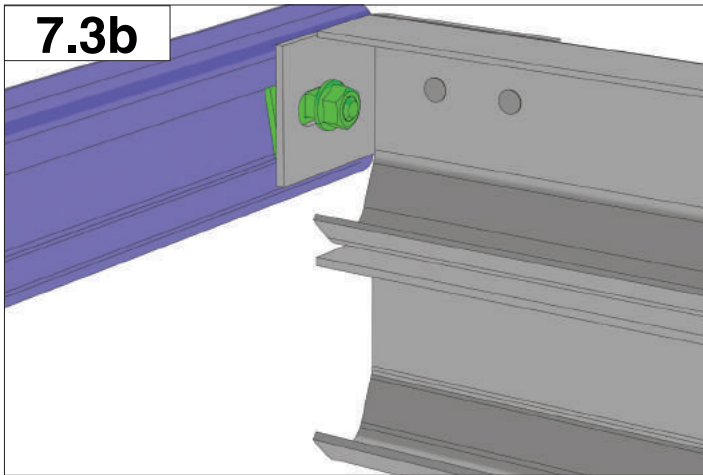
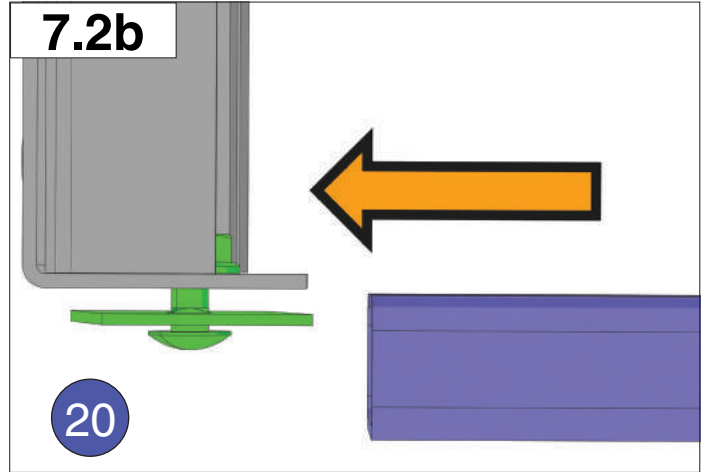
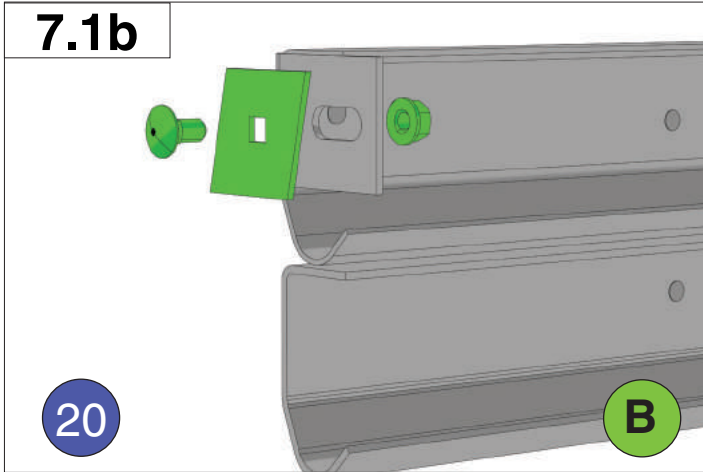






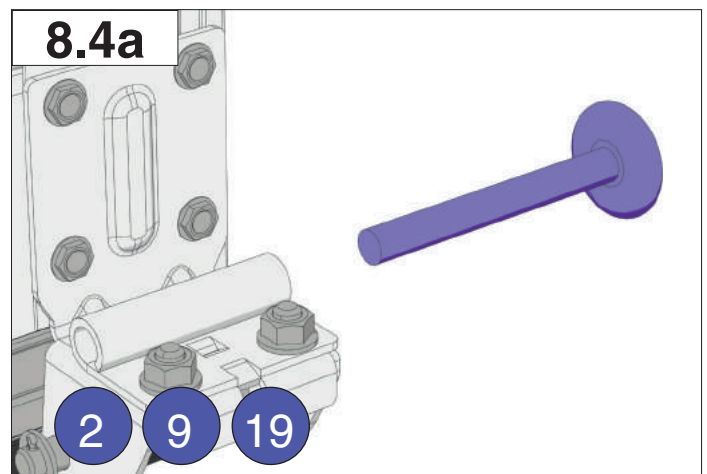
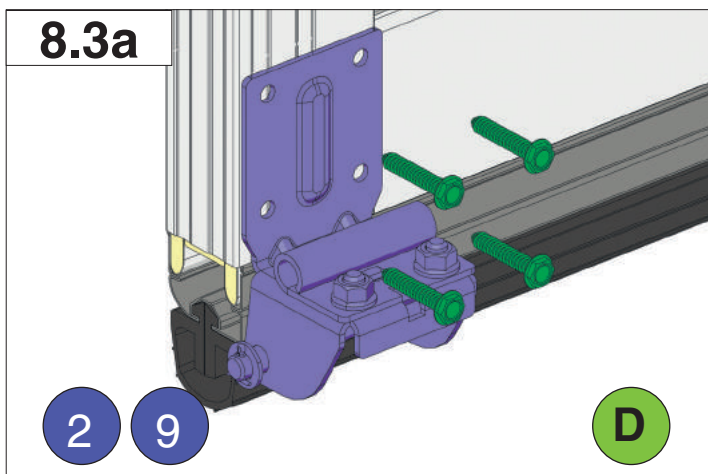
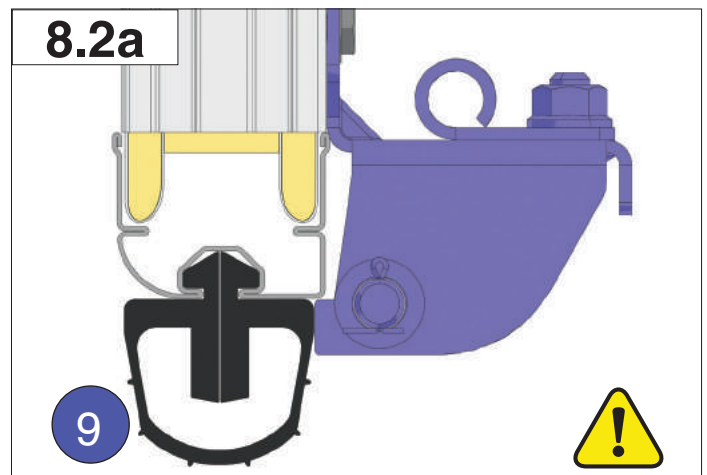
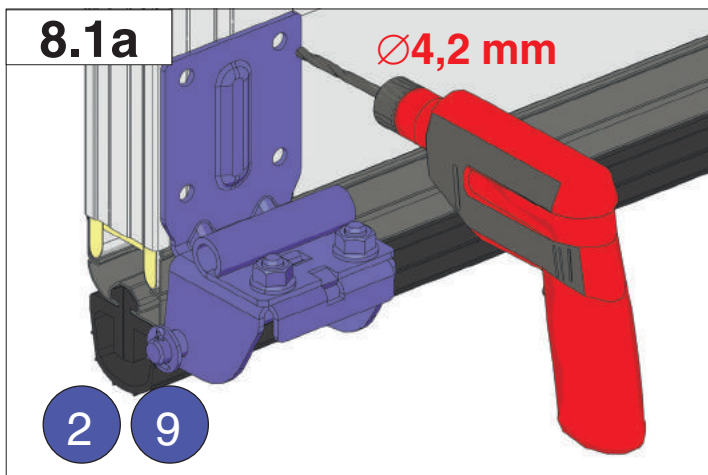
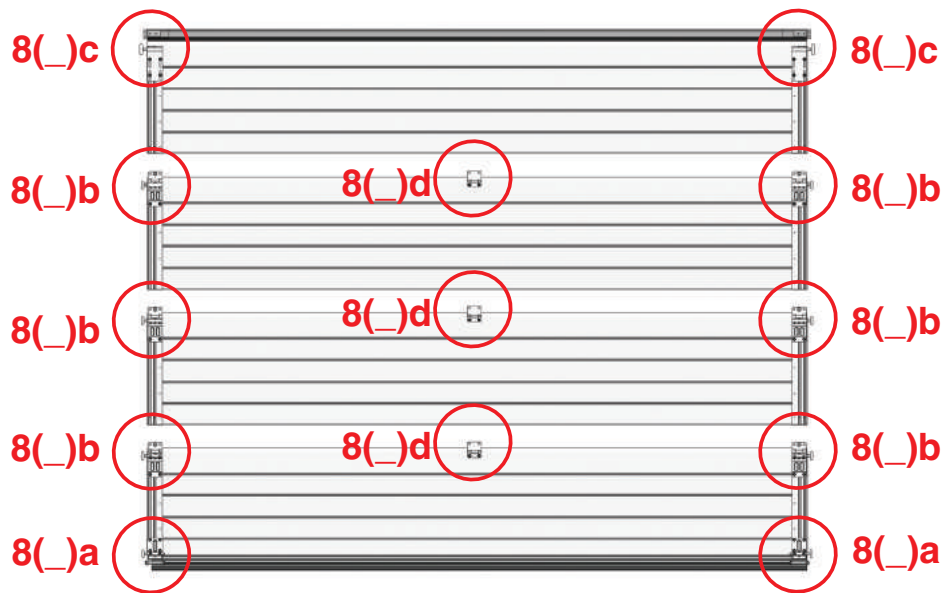


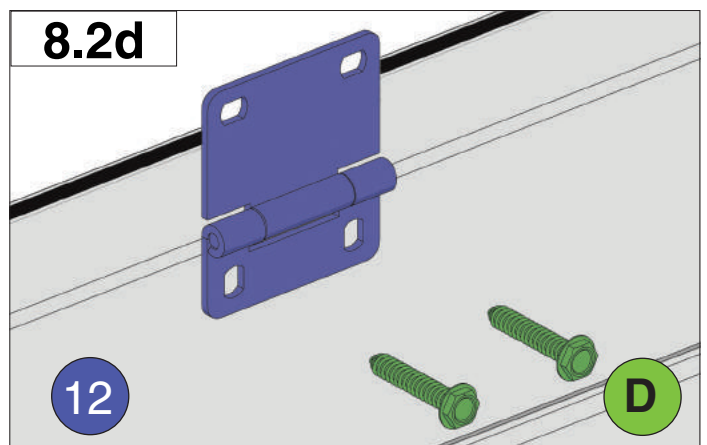
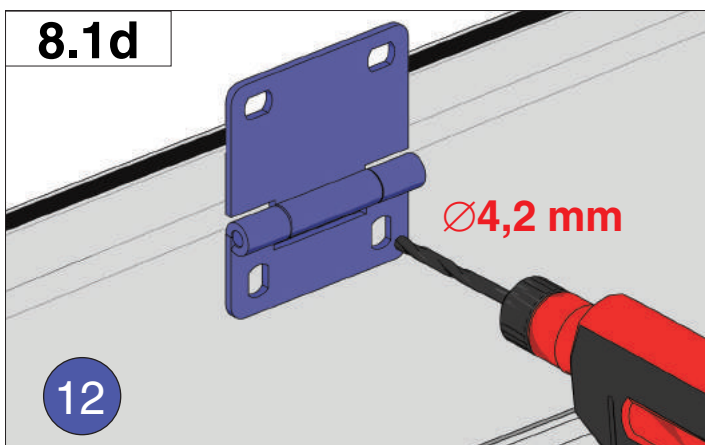
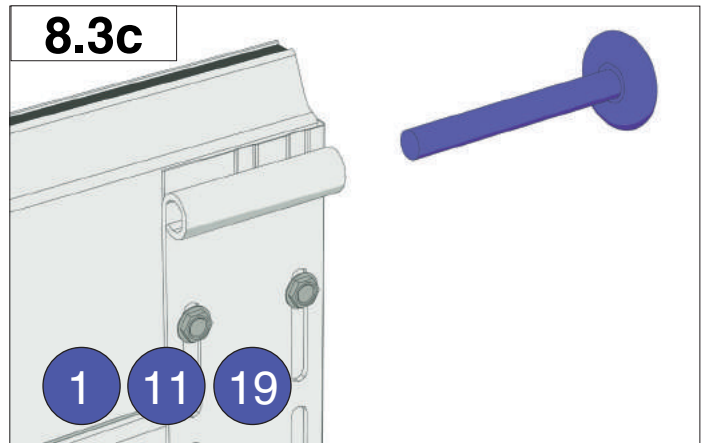
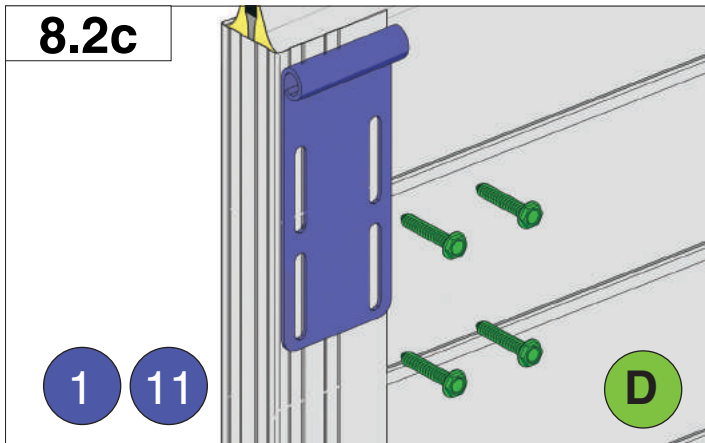
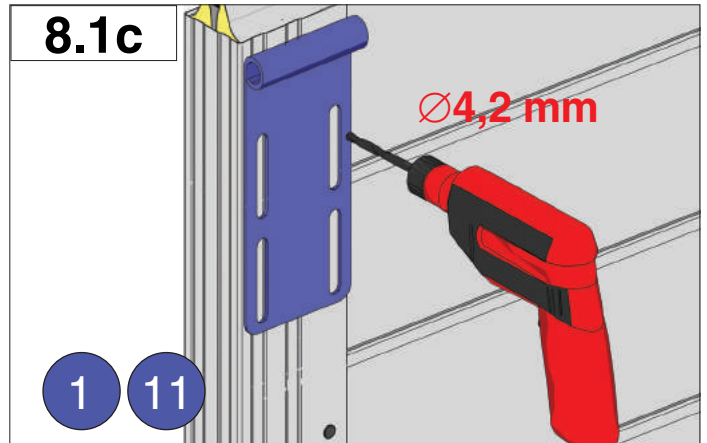
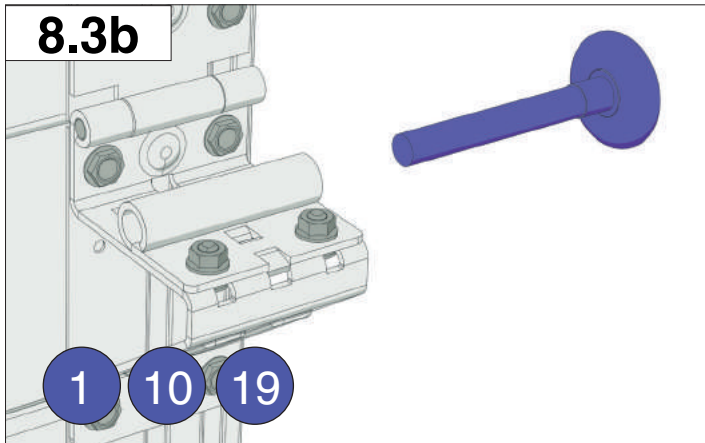
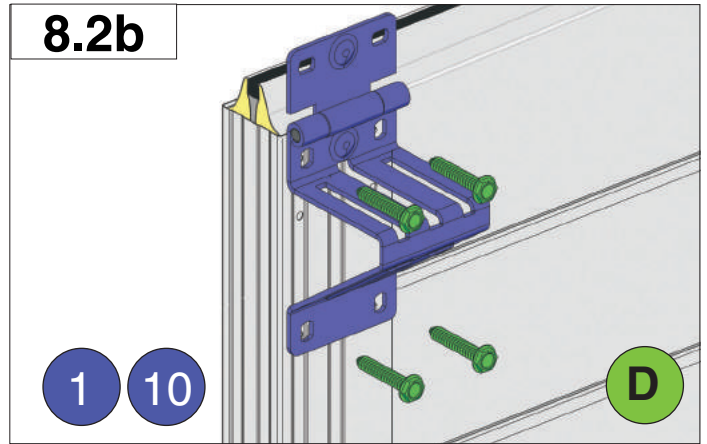
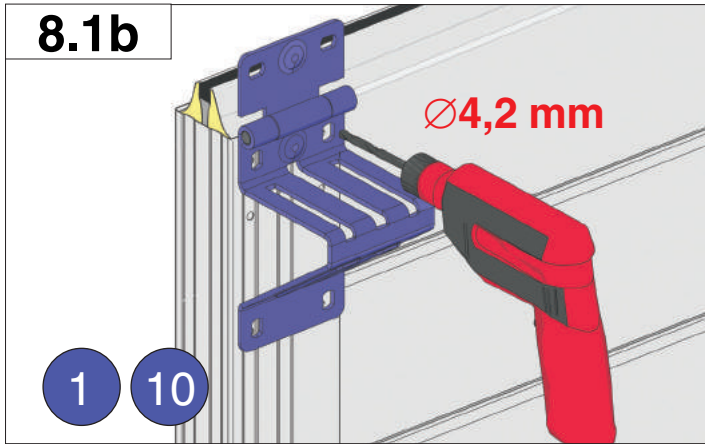


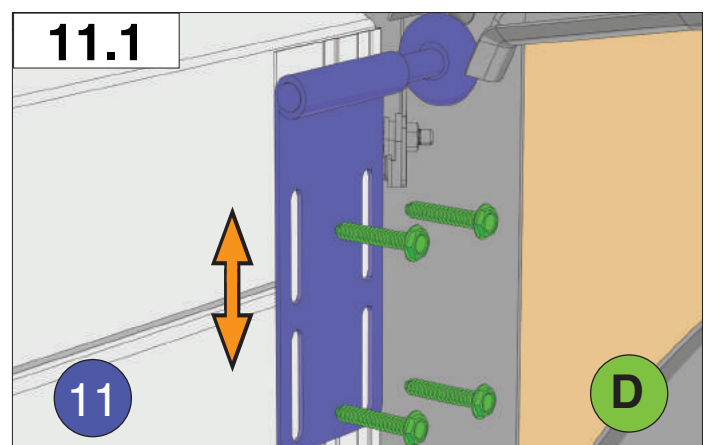
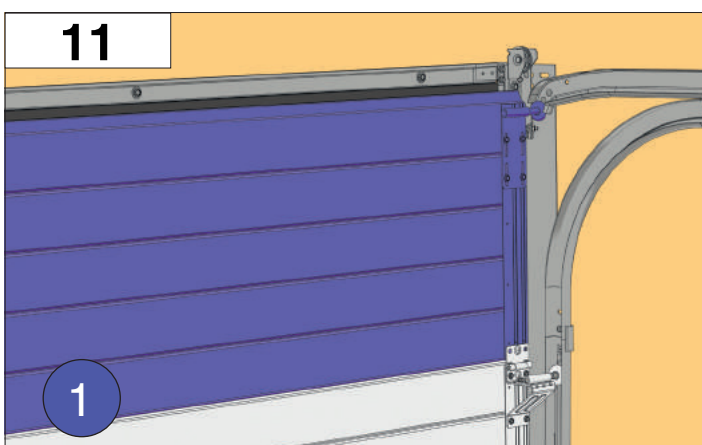
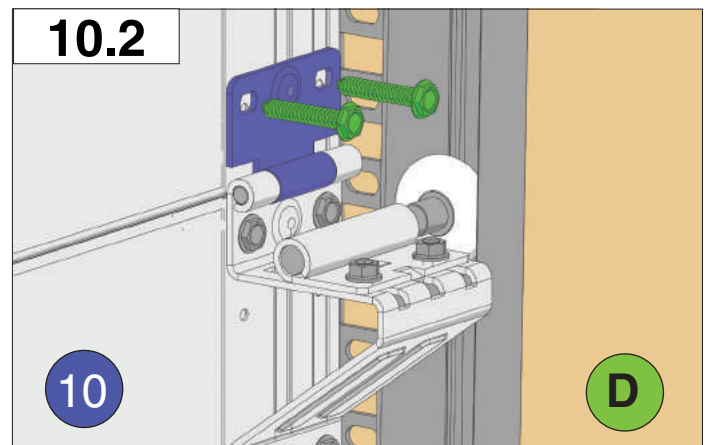
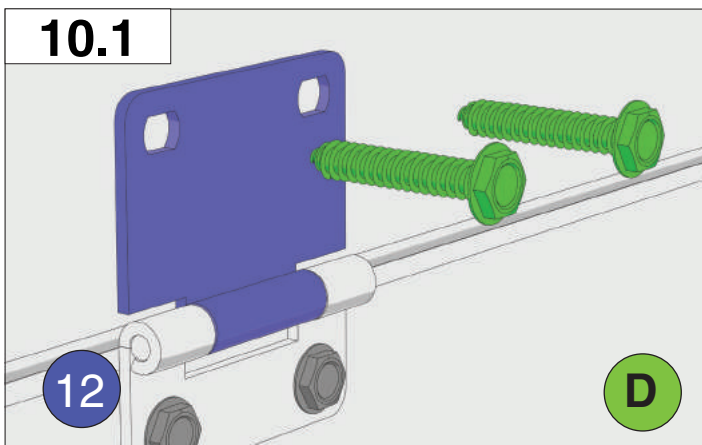
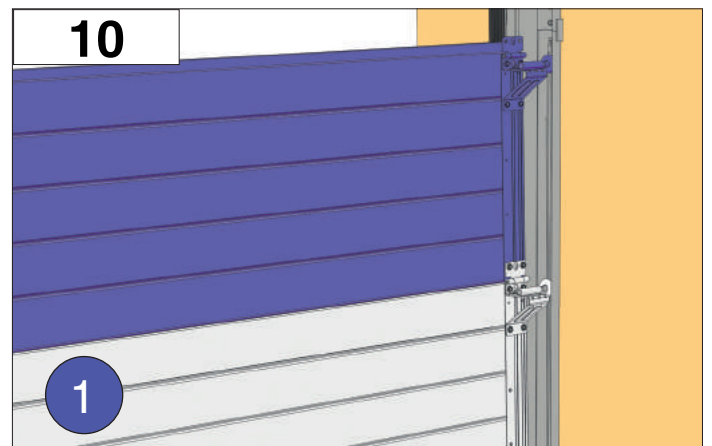
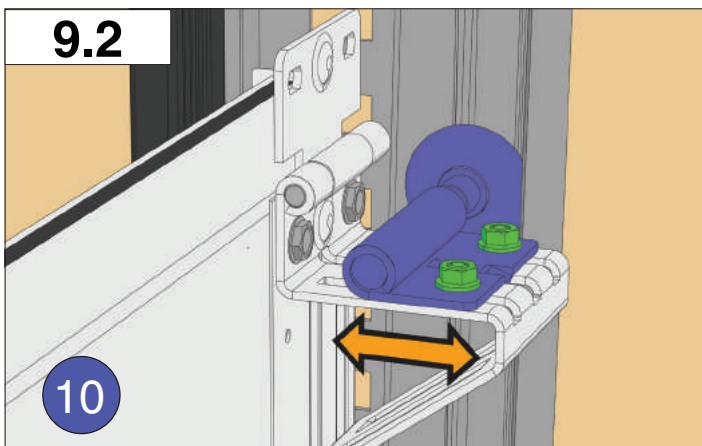
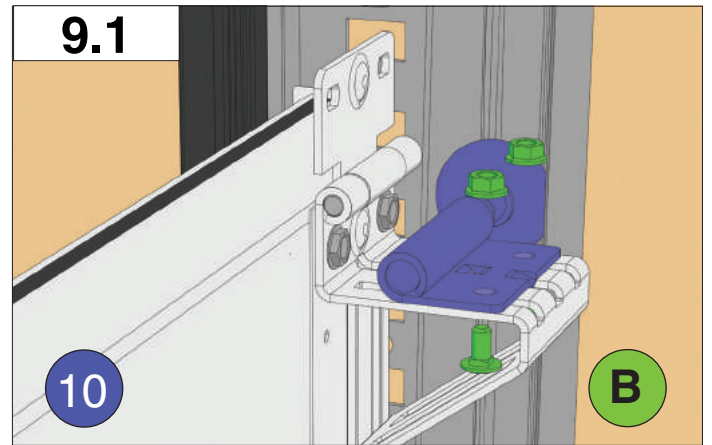
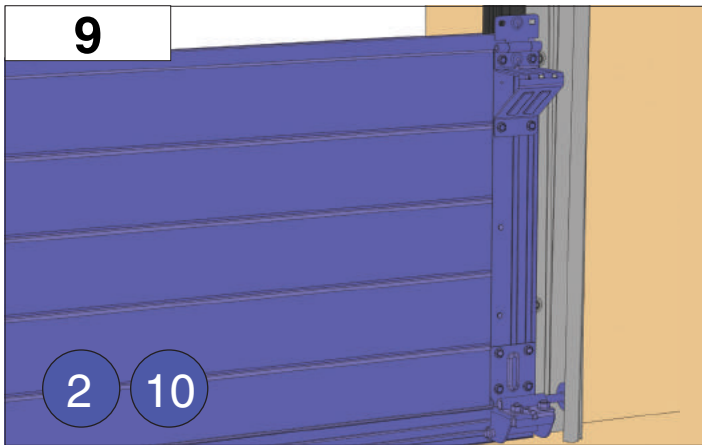




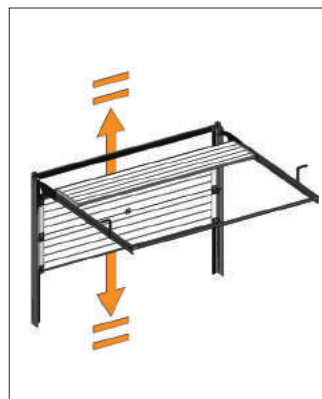
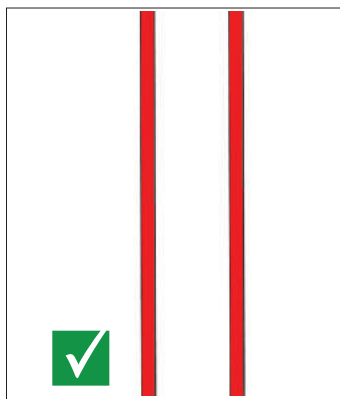
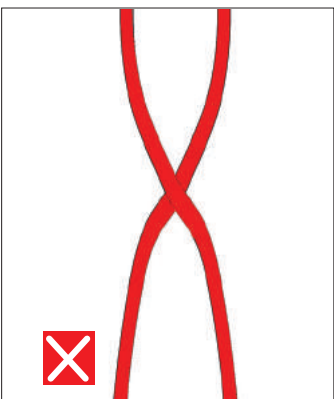
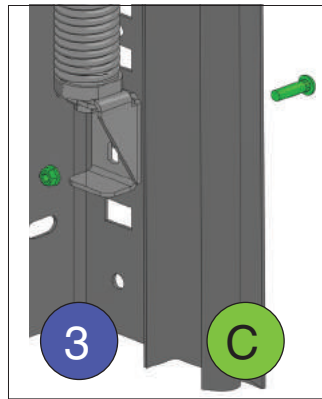
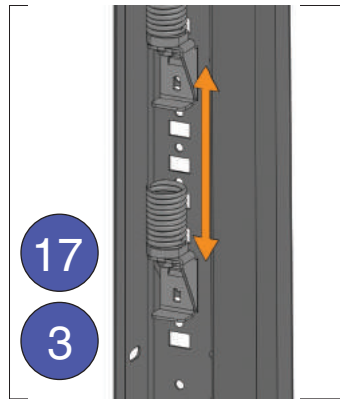
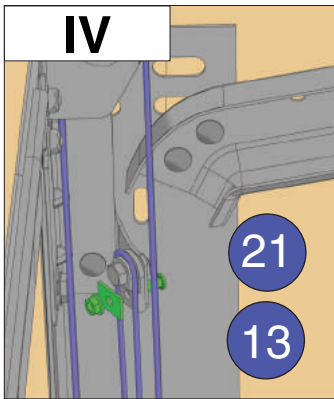
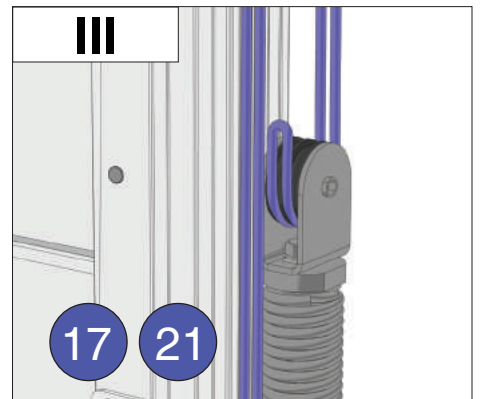
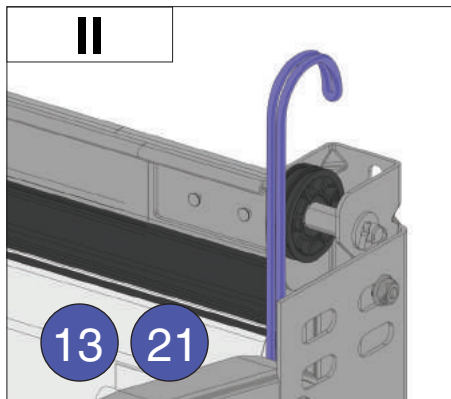
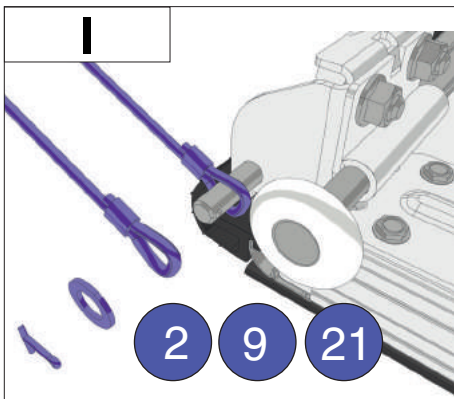
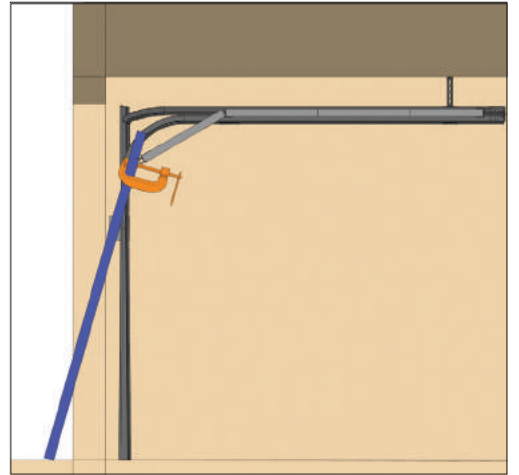
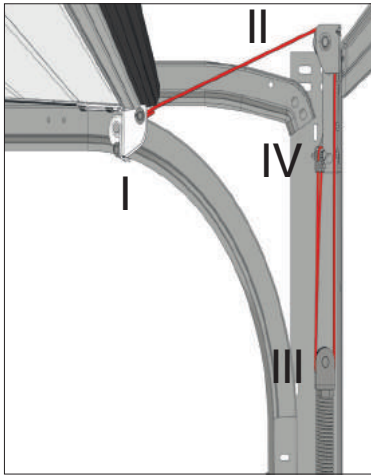
8

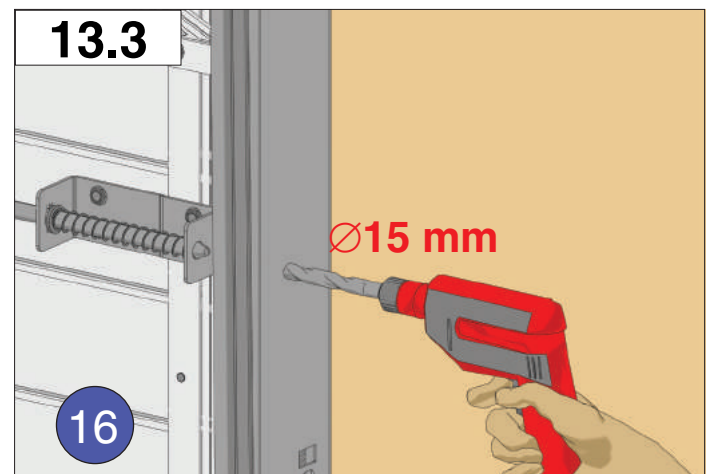
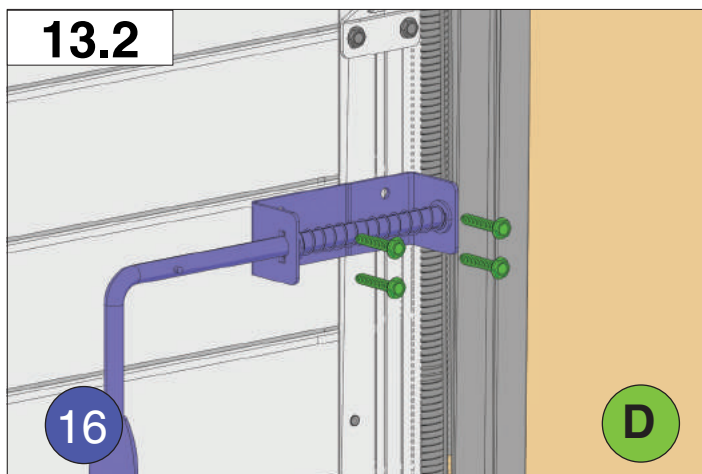
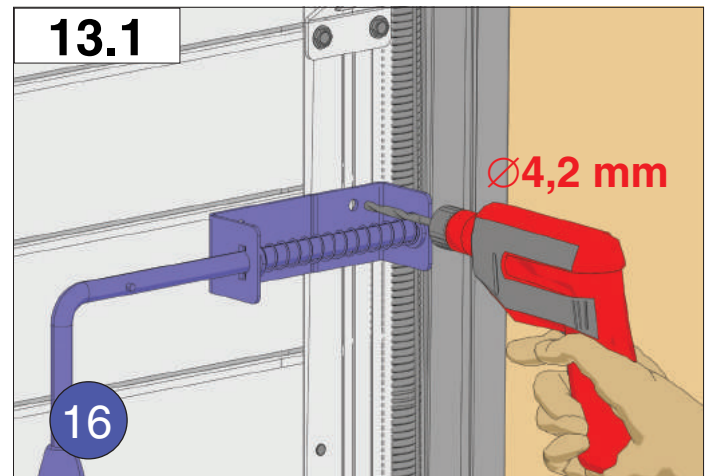
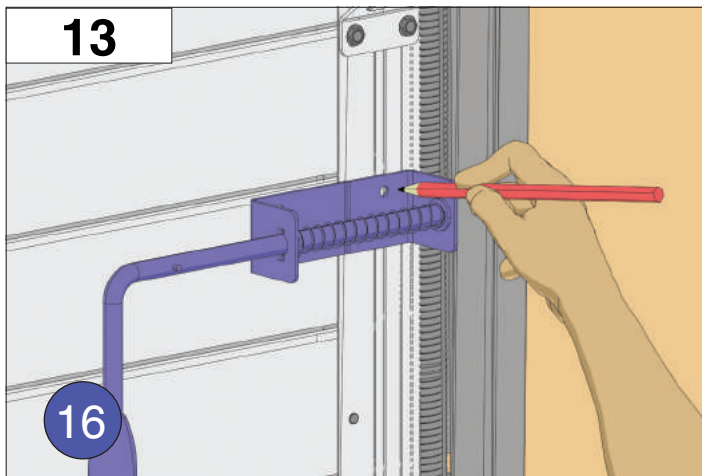
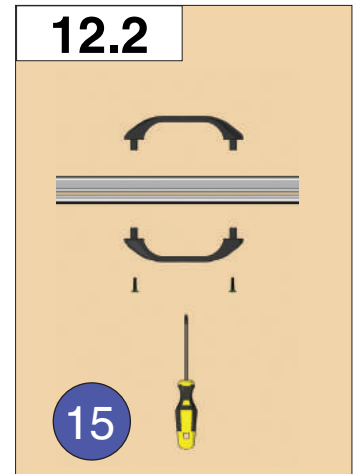
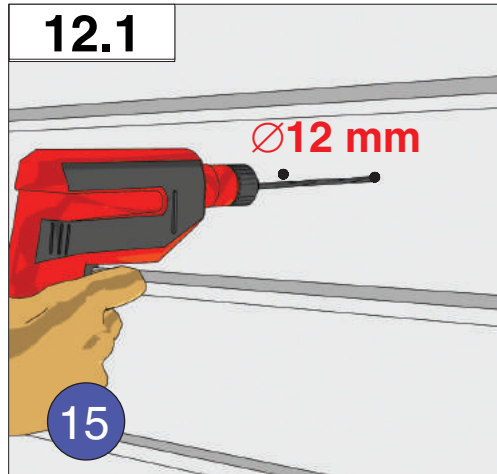
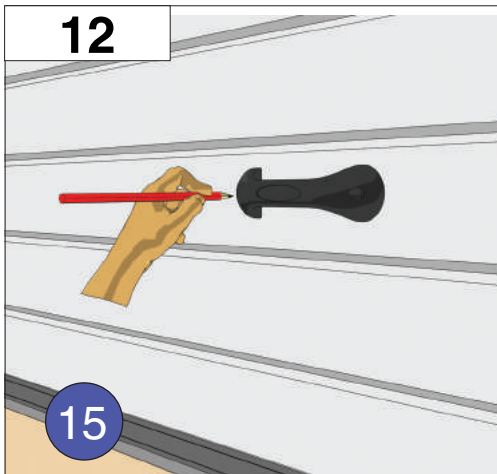




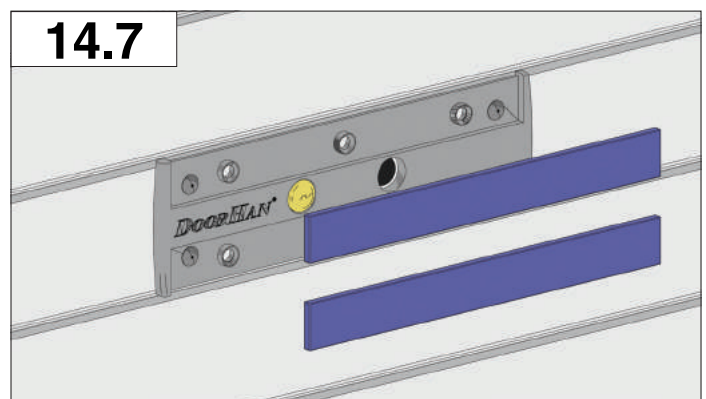
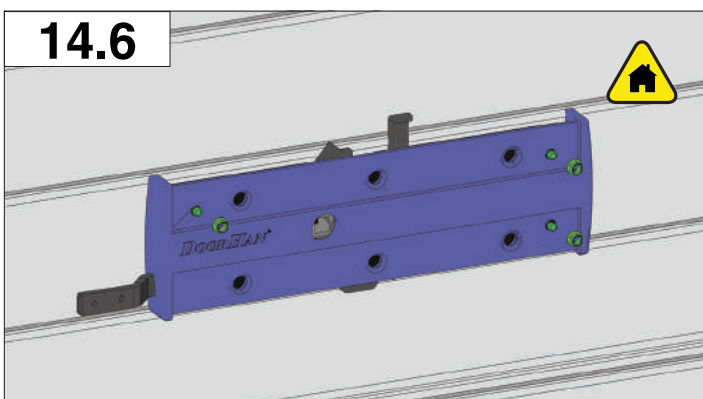
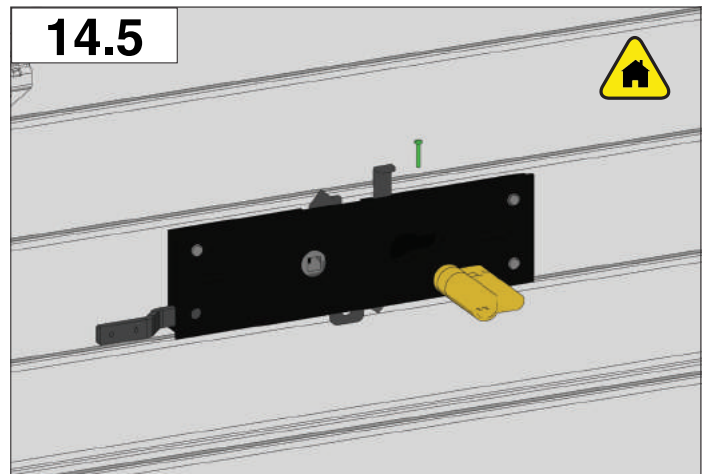
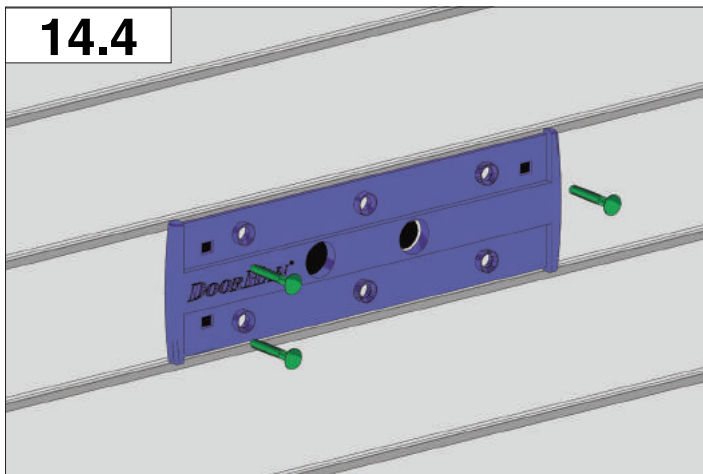
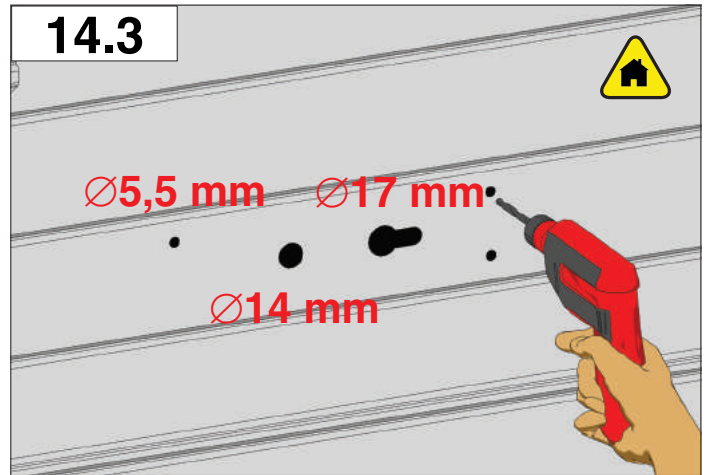
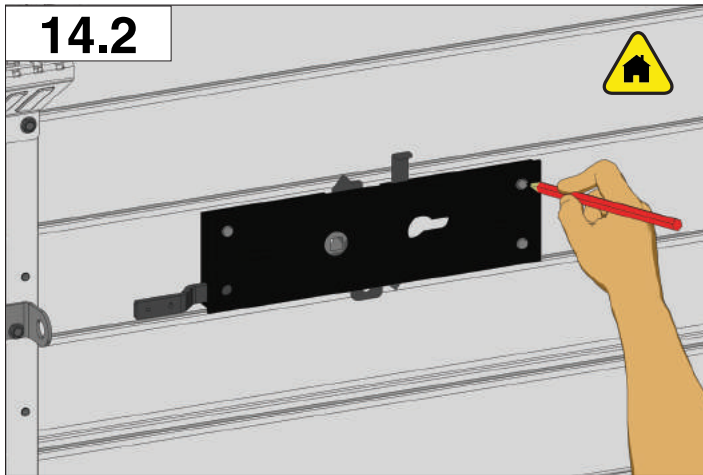
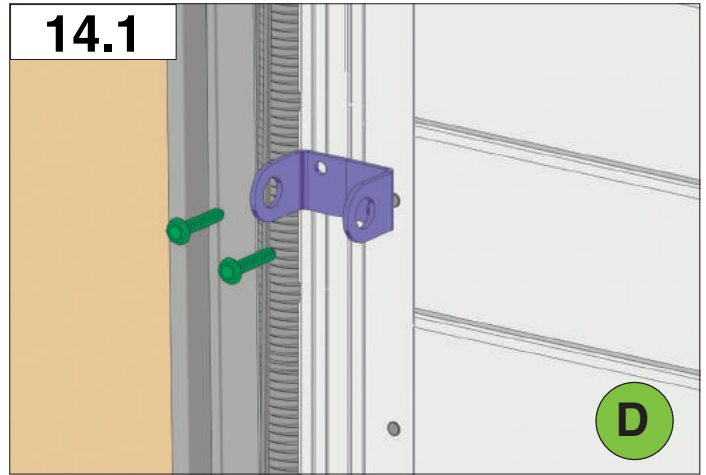
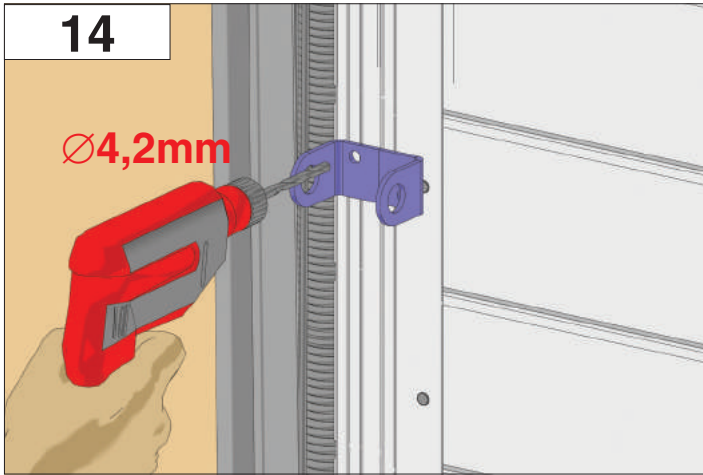


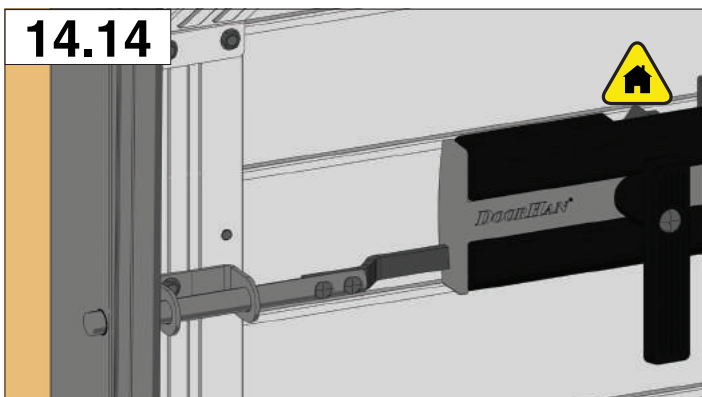
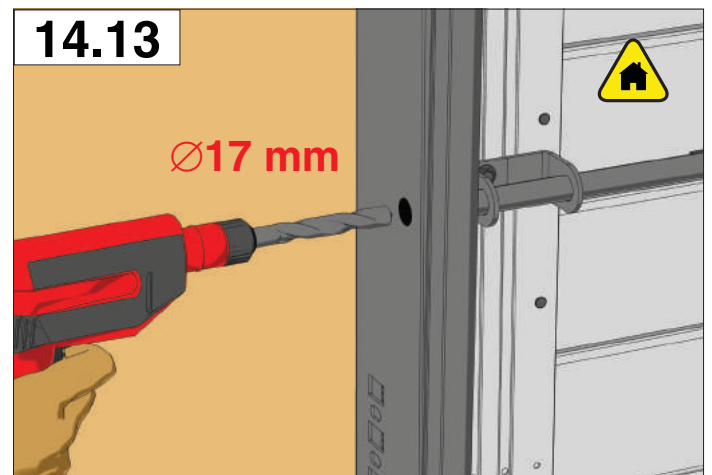
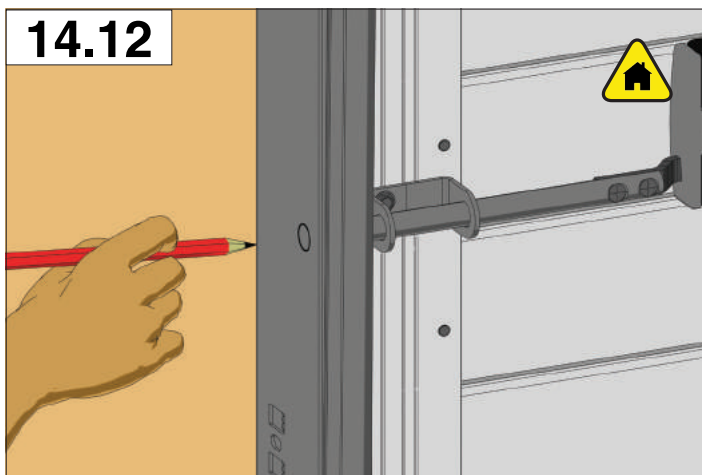
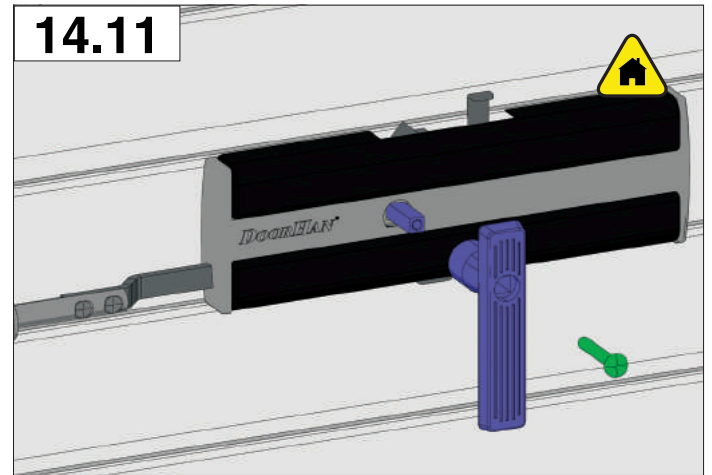
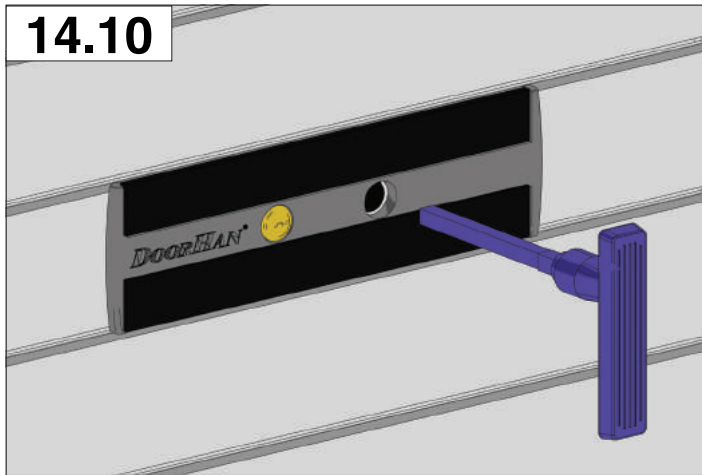
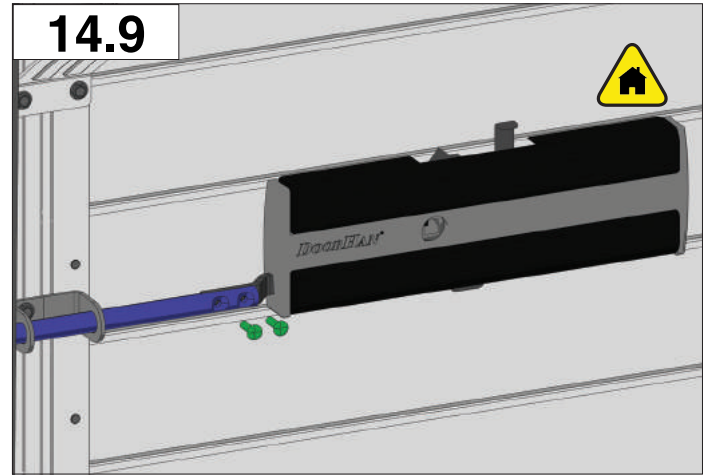
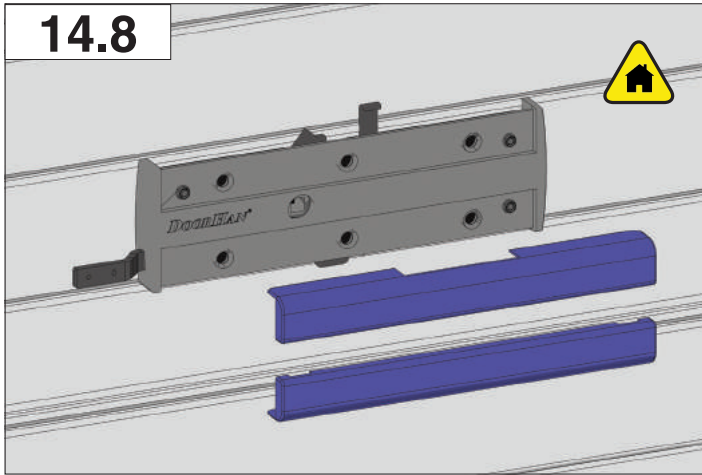














***BRD DOOR***

[WWW.BUNDESTEEEL.COM](http://WWW.BUNDESTEEEL.COM)